

TL-480VF

Category : Viewfinder

Screen Size : 4.8 inch

Product description **

- 4.8-inch color viewfinder, viewfinder menu display, VF cable input, suitable for Sony, Panasonic, Hitachi, Ikegami and other variety of studio cameras, can replace the original camera viewfinder.



Professional HD/SD view finder

TL-480VF

TL-480VF is a professional view finder with elegant shape, structured design, complete functions and excellent picture quality, specially developed for various HD/SD video cameras.

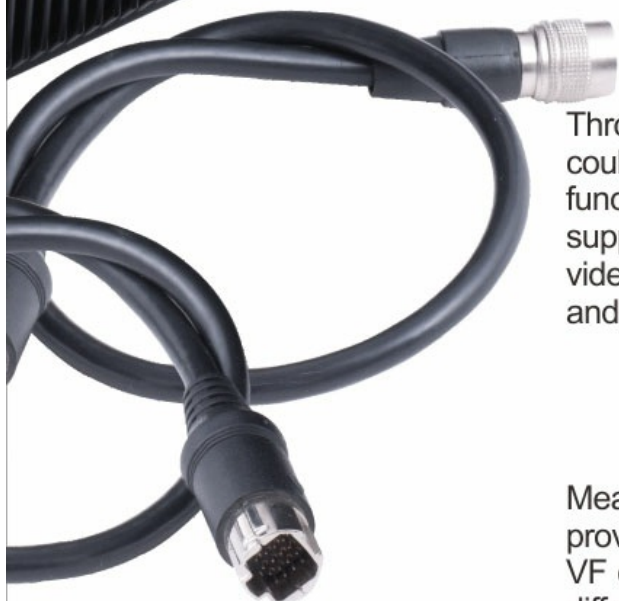
With high resolution, high brightness and high contrast original imported A+ Grade Industrial panel, it ensure the clear & sharp picture and wide viewing angle, which effectively avoid the gray scale flip.





Besides the VF cable, TL-480VF has a composite video signal input (BNC connector) as well. We can switch between monochrome and color image once press the button on front panel.

The big size professional TALLY lampshade is more suitable for outdoor shooting and studio applications



Through a VF cable, it could achieve the functions of power supply, video monitoring, video playback, TALLY and etc.

Meanwhile, we could provide different length of VF cables according to different customers' requirements, and fix on the camera tripods handle in order to reduce the neck fatigue of cameramen after a long time shooting.





The creative designed linear zoom trigger has “pixel to pixel” function, when it work together with camera and follow focus, the central area of /Image could be enlarged and displayed in full screen, also with the white color peaking function, it will be helpful for cameramen to achieve quick focus.

PANEL

Size	4.8 inch
RESOLUTION	800 (H) ×480 (V)
DOT PITCH	0.130 (H) ×0.130 (V) mm
ASPECT RATIO	16:9 / 4:3 switchable
BRIGHTNESS (MAX)	500cd/m ²
CONTRAST (MAX)	800:1
RESPONSE TIME	10ms
VIEWING ANGLE	H160° / V 160°

VIDEO IN

CVBS	BNC×1
VF Cable	VF cable

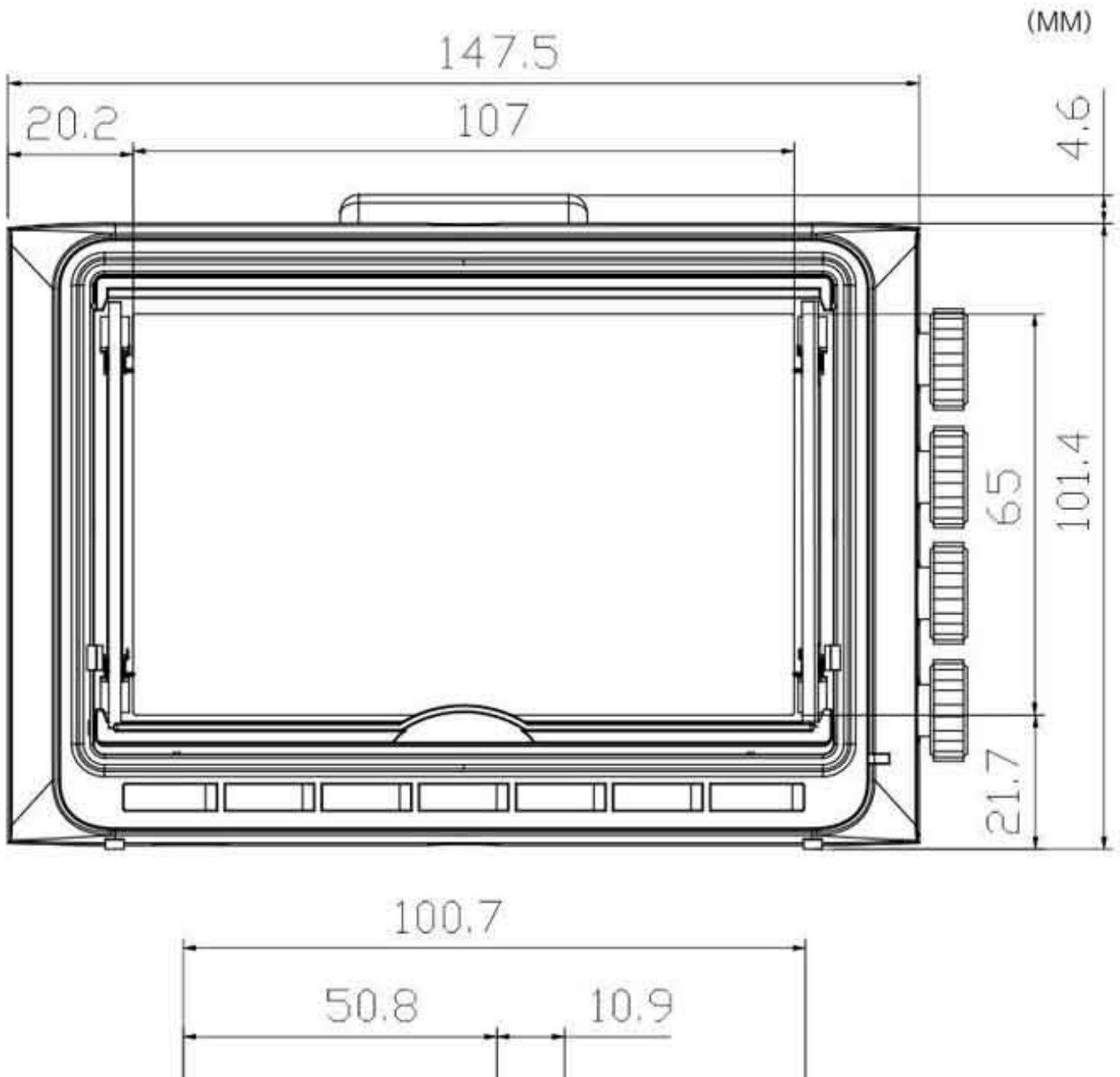
Operation

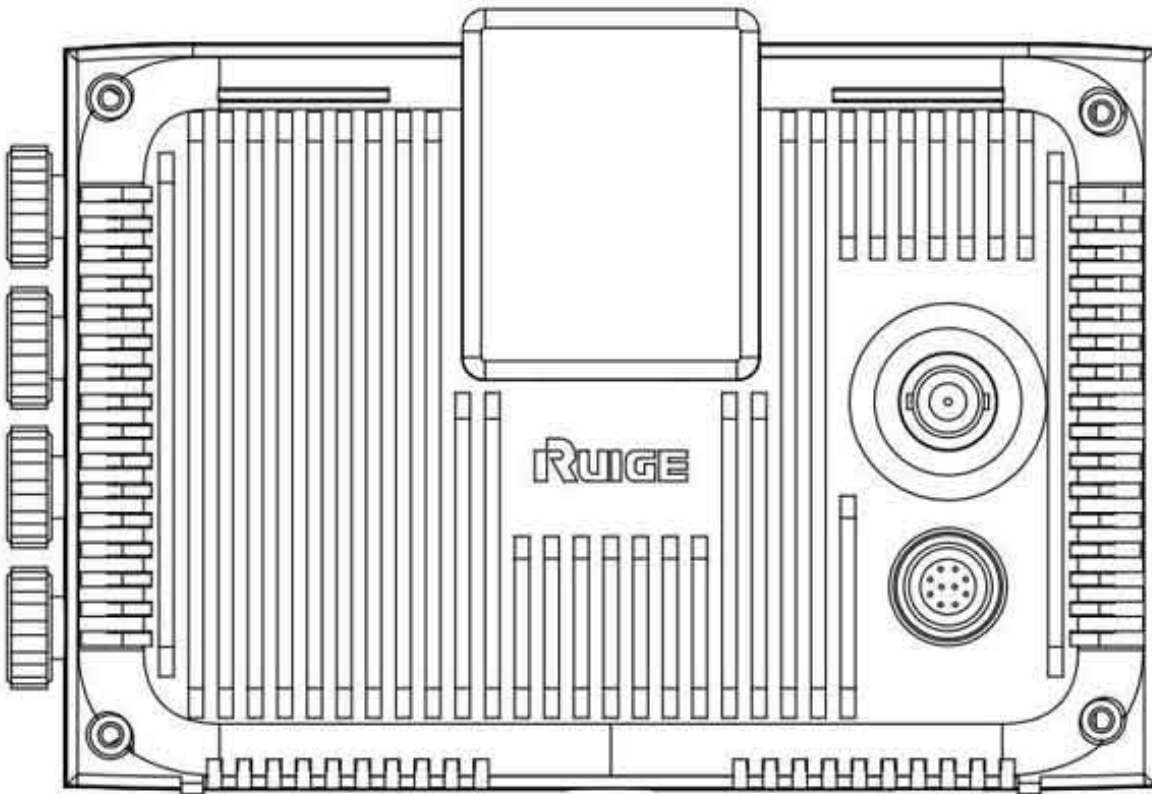
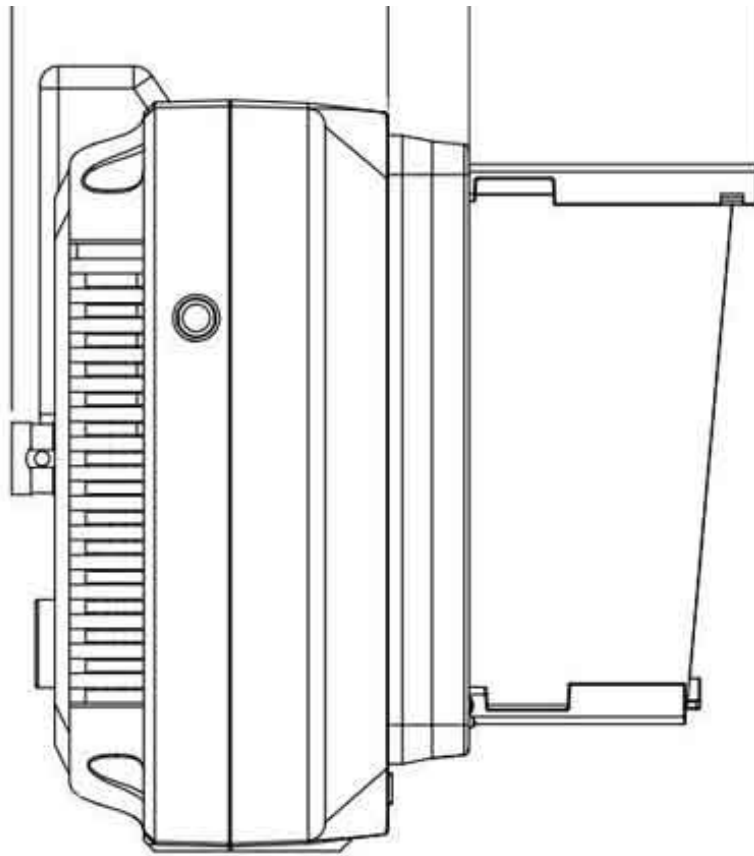
Input voltage	12V (powered by VF cables)
Power consumption (MAX)	≤6W
Working temperature	0-40°C
Store temperature	-20-60°C
Store humidity	0%-90% No Condensation

Structure

Shell material	ABS+PC
Dimension (mm)	L 147.3×H 100.8×D 48.4 mm
Weight	About 0.4KG
Installing way	Camera

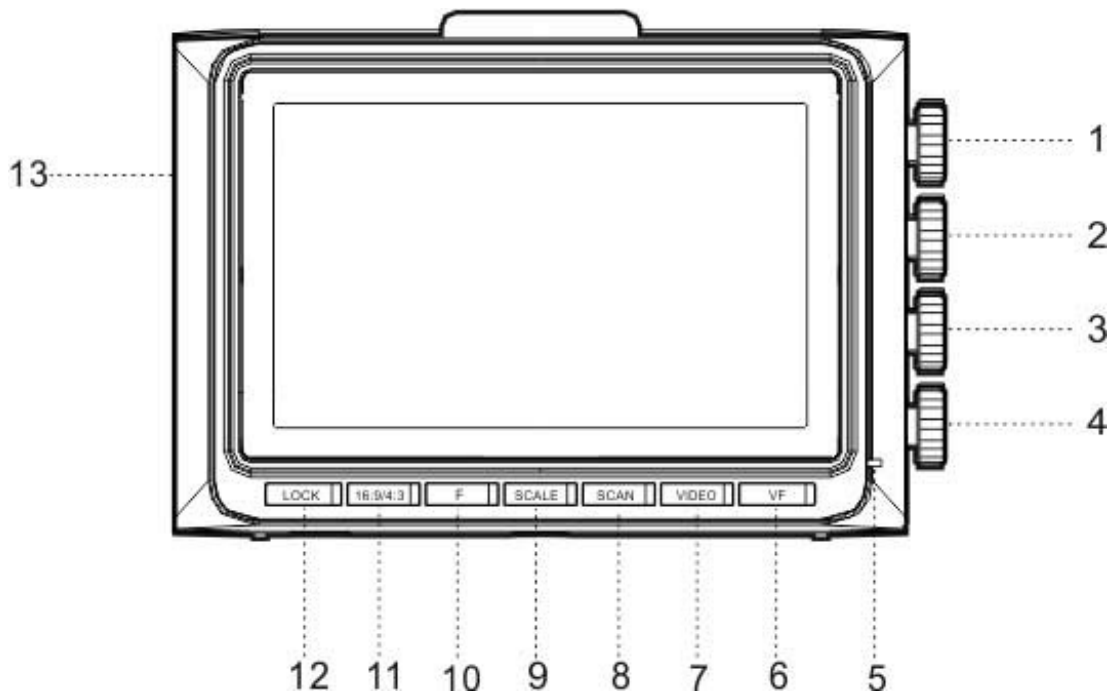
Outline size



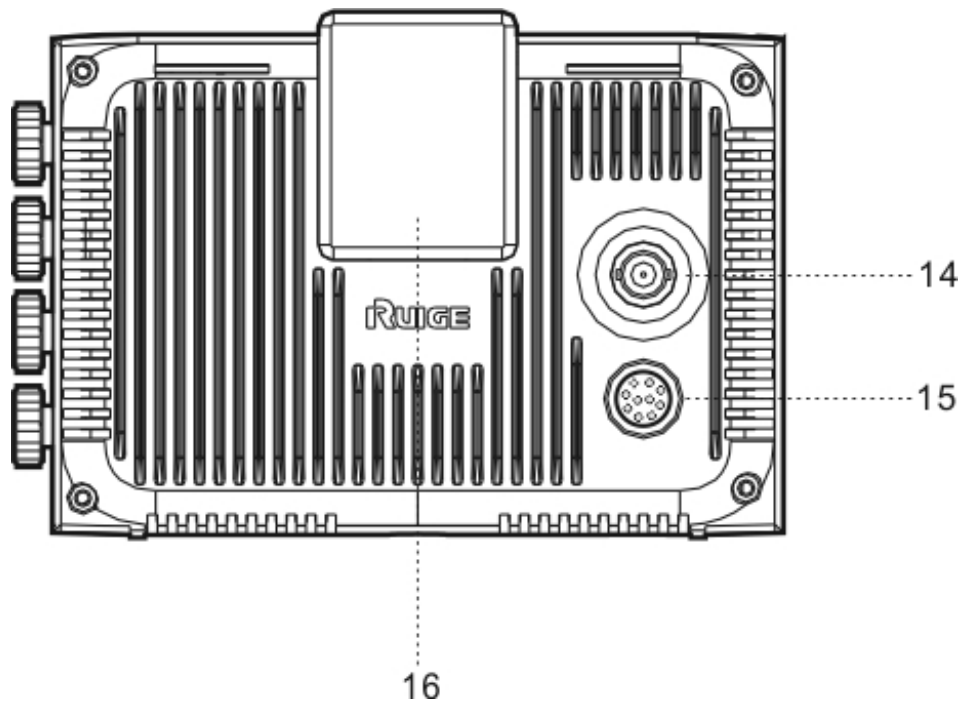


Show





- 1 Brightness / Menu
- 2 Contrast
- 3 Saturation / Monochrom
- 4 Sharpness
- 5 Power indicator
- 6 VF in switch
- 7 VIDEO in switch
- 8 Scan mode switch
- 9 Safety ratio adjustment
- 10 Shortcut key (User-defined)
- 11 16:9 / 4:3 Aspect ration switch
- 12 Lock key / Menu exit
- 13 ZOOM Trigger control jack



- 14 VIDEO input
- 15 RG-VF input
- 16 TALLY (indicator)

* Website link

** Specification as per Manufacturer Catalogue Dated: 28/08/2017