

The Bar Has Been RAISED



AZDEN®
Handcrafted in Japan

SGM-250

PROFESSIONAL DUAL POWERED SHOTGUN MICROPHONE

AZDEN has set a new level in quality and performance with the SGM-250 Professional Dual Powered Shotgun Microphone. The SGM-250 was designed for video and filmmaking professionals to deliver broadcast quality sound at an affordable price. A completely redesigned microphone element drastically improves sensitivity, frequency response and signal to noise ratio. The all metal-alloy case provides rugged durability and strong resistance to RF. Its custom designed, slotted, acoustic barrel exhibits excellent super-cardioid directionality and side noise rejection.

A recessed switch area has been added to the body of the microphone for comfort and feel. The features here include a switchable low-cut filter to help reduce low frequency noise, a power switch for either battery or phantom power operation and an LED battery indicator. The SGM-250 can work off standard 48V phantom power or a single AA battery with virtually no loss in performance.

Measuring 250mm in length (about 10 inches) the SGM-250 is suitable for almost any filming situation. Long enough to capture great sound from a distance while mounted to a boom pole or on top of a camera, it's still unobtrusive enough to be used on compact DSLR cameras.

The SGM-250 comes with a leatherette, zippered carrying pouch, shock-absorbing mic clip with shoe mount and a foam windscreen.



SGM-250

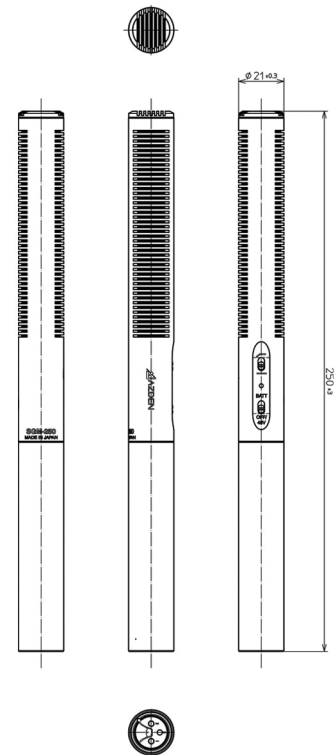
PROFESSIONAL DUAL POWERED SHOTGUN MICROPHONE

Highlights

- 250mm length to better fit today's smaller cameras
- Newly engineered, highly sensitive, original microphone element
- Wide frequency response for optimal performance in various situations
- All metal case designed for durability, superior directionality and off-axis rejection
- Dual power source (AA battery or DC48V phantom)
- Low-cut filter
- LED battery indicator
- Gold-plated XLR connector
- 10 year warranty

Specifications

Freq. Resp.:	20Hz – 20kHz
Low-Cut Filter:	Selectable @160Hz, 3dB/Oct
Polar Pattern:	Super Cardioid
Sensitivity:	-38dB at 1kHz (0dB = 1V/Pa)
Dynamic Range:	115dB w/ P48 110dB w/ AA battery
Impedance:	120Ω (at 1kHz)
Max Input SPL:	130dB w/ P48 (1kHz at 1% T.H.D.) 127dB w/ AA battery (1kHz at 1% T.H.D.)
S/N Ratio:	77dB (1kHz at 1Pa)
Power Req.:	DC 11 - 52V Phantom or 1.5V AA Battery
Output:	Gold plated 3-pin XLR
Dimensions:	250mm (L) x 21mm (D) 9.84" (L) x 0.83" (D)
Weight:	160 g (5.65 oz)
Accessories:	Shock mount, windscreen, carrying case



Included Accessories

- Shock Mount
- Windscreen
- Carrying Case

