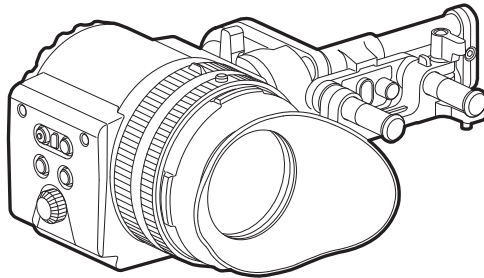


Panasonic®

Operating Instructions

Electronic HD Color View Finder

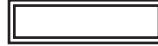
Model No. **AU-VCVF10G**



Before operating this product, please read the instructions carefully and save this manual for future use.

Before using this product, be sure to read "Read this first!" (pages 2 to 3).

Read this first!



indicates safety information.

WARNING:

- To reduce the risk of fire, do not expose this equipment to rain or moisture.
- To reduce the risk of fire, keep this equipment away from all liquids. Use and store only in locations which are not exposed to the risk of dripping or splashing liquids, and do not place any liquid containers on top of the equipment.

WARNING:

Always keep slider unit mounting screws (accessory) out of the reach of babies and small children.

CAUTION:

Do not remove panel covers by unscrewing. No user serviceable parts inside. Refer servicing to qualified service personnel.

CAUTION:

To reduce the risk of fire and annoying interference, use the recommended accessories only.

CAUTION:

Do not point the eyepiece directly at the sun.



indicates safety information.

FCC NOTICE (USA)

This device complies with part 15 of the FCC Rules. Operation is subject to the following two conditions:

(1) This device may not cause harmful interference, and (2) this device must accept any interference received, including interference that may cause undesired operation.

CAUTION:

This equipment has been tested and found to comply with the limits for a Class B digital device, pursuant to Part 15 of the FCC Rules. These limits are designed to provide reasonable protection against harmful interference in a residential installation. This equipment generates, uses and can radiate radio frequency energy and, if not installed and used in accordance with the instructions, may cause harmful interference to radio communications. However, there is no guarantee that interference will not occur in a particular installation. If this equipment does cause harmful interference to radio or television reception, which can be determined by turning the equipment off and on, the user is encouraged to try to correct the interference by one or more of the following measures:

- Reorient or relocate the receiving antenna.
- Increase the separation between the equipment and receiver.
- Connect the equipment into an outlet on a circuit different from that to which the receiver is connected.
- Consult the dealer or an experienced radio/TV technician for help.

The user may find the booklet "Something About Interference" available from FCC local regional offices helpful.

FCC Warning:

To assure continued FCC emission limit compliance, follow the attached installation instructions and the user must use only shielded interface cables when connecting to host computer or peripheral devices. Also, any unauthorized changes or modifications to this equipment could void the user's authority to operate this device.

NOTIFICATION (Canada)

CAN ICES-3(B)/NMB-3(B)

Read this first!

For Turkey

AEEE Yönetmeliğine Uygundur.

AEEE Complies with Directive of Turkey.

The rating plate is on the underside of the unit.

Manufactured by: Panasonic Corporation, Osaka, Japan

Importer's name and address of pursuant to EU rules:

Panasonic Marketing Europe GmbH

Panasonic Testing Centre

Winsbergring 15, 22525 Hamburg, Germany



Disposal of Old Equipment

Only for European Union and countries with recycling systems

This symbol on the products, packaging, and/or accompanying documents means that used electrical and electronic products must not be mixed with general household waste.

For proper treatment, recovery and recycling of old products, please take them to applicable collection points in accordance with your national legislation.

By disposing of them correctly, you will help to save valuable resources and prevent any potential negative effects on human health and the environment.

For more information about collection and recycling, please contact your local municipality, dealer or supplier.

Penalties may be applicable for incorrect disposal of this waste, in accordance with national legislation.

Декларація про Відповідність

Вимогам Технічного Регламенту Обмеження Використання деяких Небезпечних Речовин в електричному та електронному обладнанні
(затвердженого Постановою №1057 Кабінету Міністрів України)

Виріб відповідає вимогам Технічного Регламенту Обмеження Використання деяких Небезпечних Речовин в електричному та електронному обладнанні (ТР ОБНР).

Вміст небезпечних речовин у випадках, не обумовлених в Додатку №2 ТР ОБНР, :

1. свинець (Pb) – не перевищує 0,1 % ваги речовини або в концентрації до 1000 частин на мільйон;
2. кадмій (Cd) – не перевищує 0,01 % ваги речовини або в концентрації до 100 частин на мільйон;
3. ртуть (Hg) – не перевищує 0,1 % ваги речовини або в концентрації до 1000 частин на мільйон;
4. шестивалентний хром (Cr⁶⁺) – не перевищує 0,1 % ваги речовини або в концентрації до 1000 частин на мільйон;
5. полібромбіфеноли (PBB) – не перевищує 0,1 % ваги речовини або в концентрації до 1000 частин на мільйон;
6. полібромдефенілові ефіри (PBDE) – не перевищує 0,1 % ваги речовини або в концентрації до 1000 частин на мільйон.

-
- All names, company names, product names, etc., contained in this document are trademarks or registered trademarks of their respective owners.

How to read this document

■ Illustrations

- Illustrations may differ from the actual product.

■ Conventions used in this manual

- Words and phrases in [] brackets indicate details and content displayed in the viewfinder or control panel.
- Words and phrases in < > brackets indicate design text used on this camera, such as button names.

■ Reference pages

- Reference pages in this document are indicated by (page 00).

Contents

Read this first!	2
Before using the camera	7
Accessories	8
Description of Parts	9
Left side	9
Front	9
Rear	10
Top	11
Adjusting and setting the viewfinder	12
Adjustment method	12
Viewfinder status display	14
Lamp display	14
Status display	14
Storing	17
Cautions when storing the camera recorder	17
Specifications	18

Before using the camera

- Since the viewfinder uses organic EL, if the same image or letters are allowed to be displayed for a long time, the image may be burned into the screen. There is no problem with the recorded images.
Switch the screen by turning off the screen or by using the eye sensor, etc.

Accessories

- Slider unit
- Slider unit mounting screw (2 pcs.)
- BNC cable
- DC cable
- Eye cup (already attached to the electronic HD color view finder)
- Eye piece filter (already attached to the electronic HD color view finder)

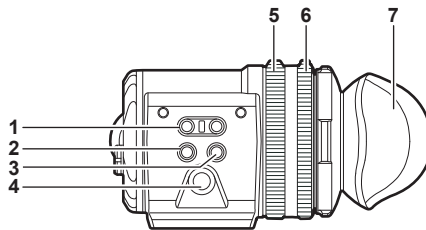


NOTE

- After unpacking the product, dispose of the packing material properly.

Description of Parts

Left side



1 <EVF USER 1>/<EVF USER 2> buttons

User-selected functions can be assigned to each button. Pressing a button performs the assigned function. Functions are set on the viewfinder menu.

2 <CAM MENU> button

Displays the camera menu screen.

3 <EVF MENU> button

Displays the viewfinder menu screen.

4 Jog dial

Operation dial.

Used for setting, moving, and selecting in menus.

5 Zoom ring

Ring which enlarges/reduces the size of the viewfinder display screen.

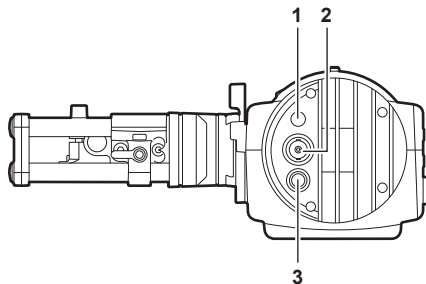
This is used to enlarge the display when adjusting the focus. When the display is enlarged, some parts of the video may be hidden.

6 Visibility adjustment ring

Ring which adjusts the visibility. Turn this ring while pressing and holding the upper button.

7 Eye cup

Front



1 Tally LED

Lights up in red during recording. This can be disabled in the viewfinder menu.

Description of Parts

2 Video signal input terminal

An input terminal for 3G/HD-SDI video signal input.

Use the supplied BNC cable or the 5C-FB equivalent double-shielded cable for the cable to connect to this terminal.

3 <DC IN 12V> terminal

An input terminal for power supply input.

Connect to the electronic HD color view finder power supply terminal on the camera.

Use the supplied DC cable when connecting a cable to this terminal.

Using the external DC power supply

To use it by itself, connect the <DC IN 12V> terminal of the camera to the external DC power supply.

External DC power supply

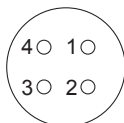
Connect after making sure that the output voltage of the external DC power supply is compatible with the rated voltage of the camera.

When the power of the camera is turned on, inrush current is generated. Insufficient power supply when turning on the power may cause a malfunction. Use of the external DC power supply that can secure power more than twice the total power consumption of the camera is recommended.

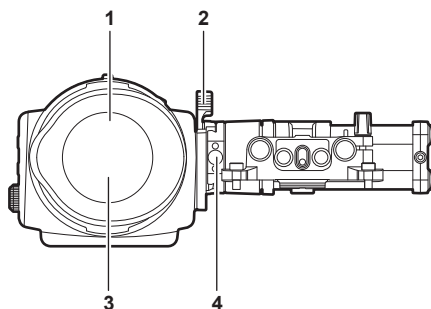
- Make sure of the pin alignment of the DC output terminal of the external DC power supply and the camera <DC IN 12V> terminal, and connect the polarity correctly.

Connecting the GND terminal to +12 V power supply by mistake may cause fire or malfunction.

DC IN	
1	GND
2	Data communication (from the viewfinder to the camera body)
3	Data communication (from the camera body to the viewfinder)
4	+12 V
Cable connector HR10A-7R-4SC (73) (Hirose Electric Co.)	



Rear



1 Eye sensor

Screen is displayed on the viewfinder when an eye is brought close.

The eye sensor may not work properly depending on the shape of glasses in use, how you hold the camera, or the strong light hitting around the eye piece.

2 Lock lever

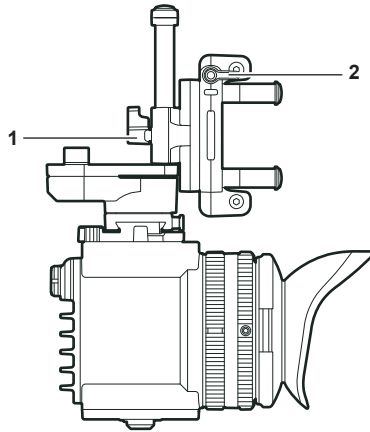
Secures the viewfinder in place.

3 Eye piece filter

Protective filter against dust, water, and moisture. Use the camera with this attached.

4 Stopper

Used when removing the viewfinder from the slider unit.

Top**1 Lock lever (left/right position)**

Adjusts the position of the viewfinder (left/right).

2 Lock lever (front/back position)

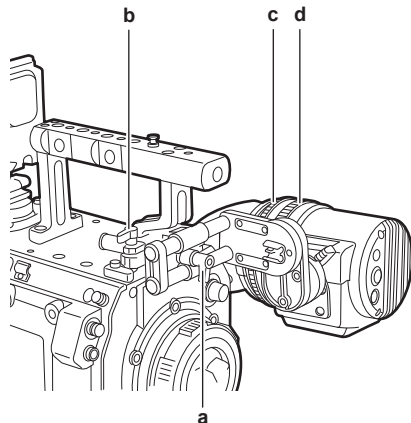
Adjusts the position of the viewfinder (front/back).

Adjusting and setting the viewfinder

The camera's panel is OLED (organic EL).

Positioning your eye near the viewfinder will trigger the eye sensor to automatically display the image.

Adjustment method



a: Lock lever (left/right position)

b: Lock lever (front/back position)

c: Visibility adjustment ring

d: Zoom ring

■ Left/right position adjustment

1 Loosen the lock lever (left/right positions).

2 Slide the viewfinder from side to side.

Adjust to a comfortable position.

3 Lock the lock lever (left/right position).

■ Front/back position adjustment

1 Loosen the lock lever (front/rear positions).

2 Slide the viewfinder back and forth.

Adjust to a comfortable position.

3 Lock the lock lever (front/back position).

■ Visibility adjustment

1 Turn the visibility adjustment ring while pressing holding the upper button.

Visibility adjustment range: $-3.6\text{ D} - +1.4\text{ D}$

■ Zoom adjustment

1 Adjust by turning the zoom ring.

Adjust to a comfortable view angle while checking the video.

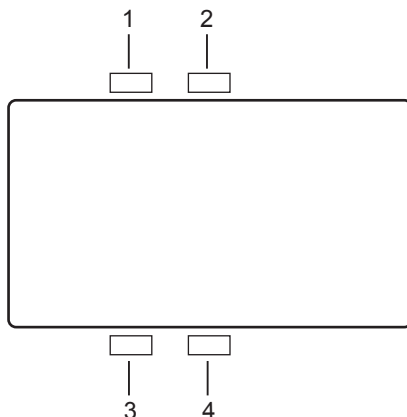
Perform adjustment when adjusting the focus.

Vignetting may occur around the screen of the enlarged image.

Viewfinder status display

In addition to video, the viewfinder displays messages, a center marker, safety zone marker, zebra patterns, and other information that indicate the camera settings and operation status.

Lamp display



- 1 Green tally lamp**
Lights up in green when green tally signals are received.
- 2 Red tally/recording lamp**
Lights up in red during recording or when red tally signals are received.
- 3 Warning lamp**
Flashes or lights up when a warning occurs with the camera.
- 4 Battery lamp**
Starts flashing when the remaining battery level is low. Illuminates when it reaches the battery end.

Status display

Adjusting the screen

- 1 Press the <EVF MENU> button.**
Screen adjustment items are displayed on the upper part of the screen.
- 2 Turn the jog dial button to select the items you want to adjust.**
- 3 Press the jog dial button.**
- 4 Turn the jog dial button to make adjustments.**
- 5 Press the jog dial button.**
- 6 Press the <EVF MENU> button.**
The screen adjustment items display disappears.
This can also be done in [EVF MENU] → [DISPLAY SETUP].

[EVF MENU] operation**1 Press and hold the <EVF MENU> button for at least two seconds.**

[EVF MENU] is displayed.

[EVF MENU] list**■ [DISPLAY SETUP]**

Item	Description of settings
[COLOR]	Adjusts the color level. [-32] - [31] • Factory setting: [0]
[CONTRAST]	Adjusts the contrast. [-32] - [31] • Factory setting: [0]
[BRIGHT]	Adjusts the brightness. [-32] - [31] • Factory setting: [0]
[PEAKING]	Adjusts the outline of the image in the viewfinder. [0] - [9] • Factory setting: [0]
[R BRT]	Adjusts the red color brightness. [-32] - [31] • Factory setting: [0]
[G BRT]	Adjusts the green color brightness. [-32] - [31] • Factory setting: [0]
[B BRT]	Adjusts the blue color brightness. [-32] - [31] • Factory setting: [0]

■ [SW MODE]

Item	Description of settings
[FRONT TALLY]	Switches enable/disable of the front tally lamp function. [ON]/[OFF] • Factory setting: [ON]
[EYE SENSOR]	Sets sensitivity of eye sensor. [NORMAL]: Displays the viewfinder screen according to the eye sensor. [1min]: Keeps the viewfinder screen display for one minute after the eye sensor is released. [5min]: Keeps the viewfinder screen display for five minutes after the eye sensor is released. • Factory setting: [NORMAL]
[B/W]	Switches to monochrome mode. [ON]: Display will be all black and white. [OFF]: Disables the monochrome mode. • Factory setting: [OFF]
[SCAN]	Reverses the display. [NORMAL]/[REVERSE] • Factory setting: [NORMAL]

Viewfinder status display

Item	Description of settings
[PIC. SIZE]	Adjusts the image size displayed in the viewfinder. [0] - [3] • Factory setting: [0]
[WFM]	(Displays when combined with anything other than the memory card camera-recorder AU-V35LT1G) Sets the display format of the waveform monitor. [Y], [G], [B], [R], [PARADE] • Factory setting: [Y]
[- TRANSPARENCE]	(Displays when combined with anything other than the memory card camera-recorder AU-V35LT1G) Sets the transparency of the waveform monitor display. [25%], [50%] • Factory setting: [25%]

■ [USER SW 1] (when combined with anything other than the memory card camera-recorder AU-V35LT1G)

The following function is assigned to the <EVF USER 1> button.

- [EXPAND1]: Switches enable/disable of the enlargement display function.
The setting for enlargement rate is changed by pressing the jog dial.
The setting for position is changed by turning the jog dial.

■ [USER SW 2] (when combined with anything other than the memory card camera-recorder AU-V35LT1G)

The following function is assigned to the <EVF USER 2> button.

- [WFM]: Switches display/hide of the waveform monitor.

■ [INFORMATION]

Item	Description of settings
[OPERATION TIME]	Displays the total display time of the organic EL panel of the viewfinder.
[VERSION]	Displays the firmware version of the viewfinder.



NOTE

- For the function that can be selected when connected to the memory card camera-recorder AU-V35LT1G, visit the Panasonic website (<http://pro-av.panasonic.net/en/manual/index.html>) and refer to the Operating Guide for VariCam LT (HTML version).

Storing

Cautions when storing the camera recorder


Store each in a location with low humidity and that the temperature is relatively constant.

■ **Camera body**

- Wrap the camera recorder with a soft cloth so that dust does not get into it.

Specifications

Power DC === 12 V (supplied from the camera body) 3.7 W

 indicates safety information.

Ambient operating temperature	0 °C - 40 °C (32 °F - 104 °F)
Ambient operating humidity	10% - 85% (no condensation)
Storage temperature	-20 °C - 60 °C (-4 °F - 140 °F)
Weight	Approx. 1.0 kg (2.2 lbs.)
Dimensions (W×H×D)	94.0 mm×88.0 mm×111.0 mm (3-23/32 inches×3-15/32 inches×4-3/8 inches) (excluding protrusions and accessories)
Display panel	OLED (organic EL) 0.7 type, 2760000 dots
Video input method	1080/59.94p, 1080/50p, 1080/60p, 1080/23.98psF, 1080/24psF, 1080/25psF, 1080/29.97psF, 1080/59.94i, 1080/50i

Panasonic Corporation

Web Site: <http://www.panasonic.com>

© Panasonic Corporation 2016