

NK-GPI

General Purpose Interface

Key Features

- 16 GPI inputs and outputs
- Return / latch mode
- Easy to install and operate
- Phantom-powered via the T-Bus
- 5-year transferable warranty

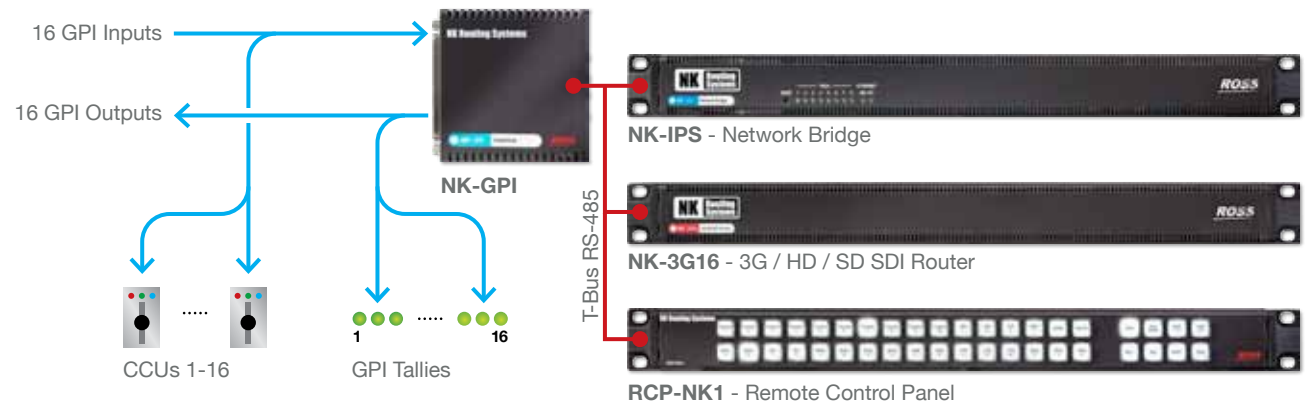


NK-GPI

Overview

The NK-GPI is a stand-alone, universal, general purpose interface for the Ross Video NK Series family of routers. Providing both GPI inputs and outputs, the NK-GPI enables flexible GPI control, configured from a web browser or the DashBoard Control System, via the NK-IPS. The NK-GPI also supports both GPI input return and latch modes.

NK-GPI System Diagram



Ordering Information

NK-GPI GPI Interface Unit