

TL-701VF

Category : Viewfinder

Screen Size : 7 inch

Product description

- 7-inch color viewfinder, viewfinder menu display, VF cable input, suitable for Sony, Panasonic, Hitachi, Ikegami and other variety of studio cameras, can replace the original camera viewfinder.

Specification**



Professional HD/SD view finder

TL-701VF

VF-701HDA monitor is part of the professional line of Ruige viewfinders. With its well structured frame, multi-functional features and excellent picture quality, this 7" viewfinder is a perfect fit for any brand camera.

Whether EFP or ESP, external viewfinders is necessary monitoring equipment for ESP and ESP at TV station. It can be widely used for the production of literary and artistic special report, sports, etc.

Panel with high resolution

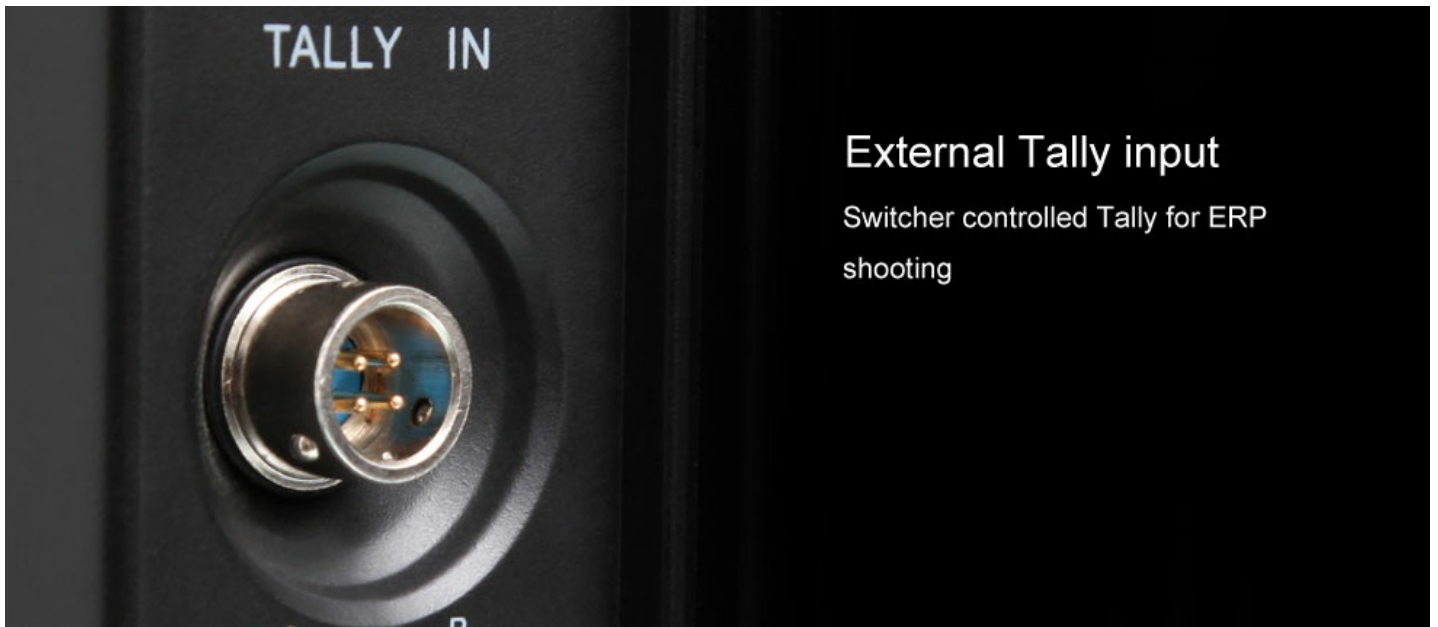
Camera operators today demand the highest quality pictures. With the VF-701HDA LCD display of 1280x800, 800:1 contrast and camera information, the operator and rest assured he is using the right tool for the job.



High brightness adjustable rear Tally light

The adjustable Tally light is made of high power LED's for all lighting conditions for both outdoor or studio use.





PANEL

Size	7 inch
RESOLUTION	1280 (H) ×800 (V)
DOT PITCH	0.117 (H) ×0.117 (V) mm
ASPECT RATIO	16:9 / 4:3 switchable
BRIGHTNESS (MAX)	400cd/m ²
CONTRAST (MAX)	800:1
RESPONSE TIME	12 ms
VIEWING ANGLE	H 178° / V 178°

VIDEO IN

VF Cable 20 pins VF cable input

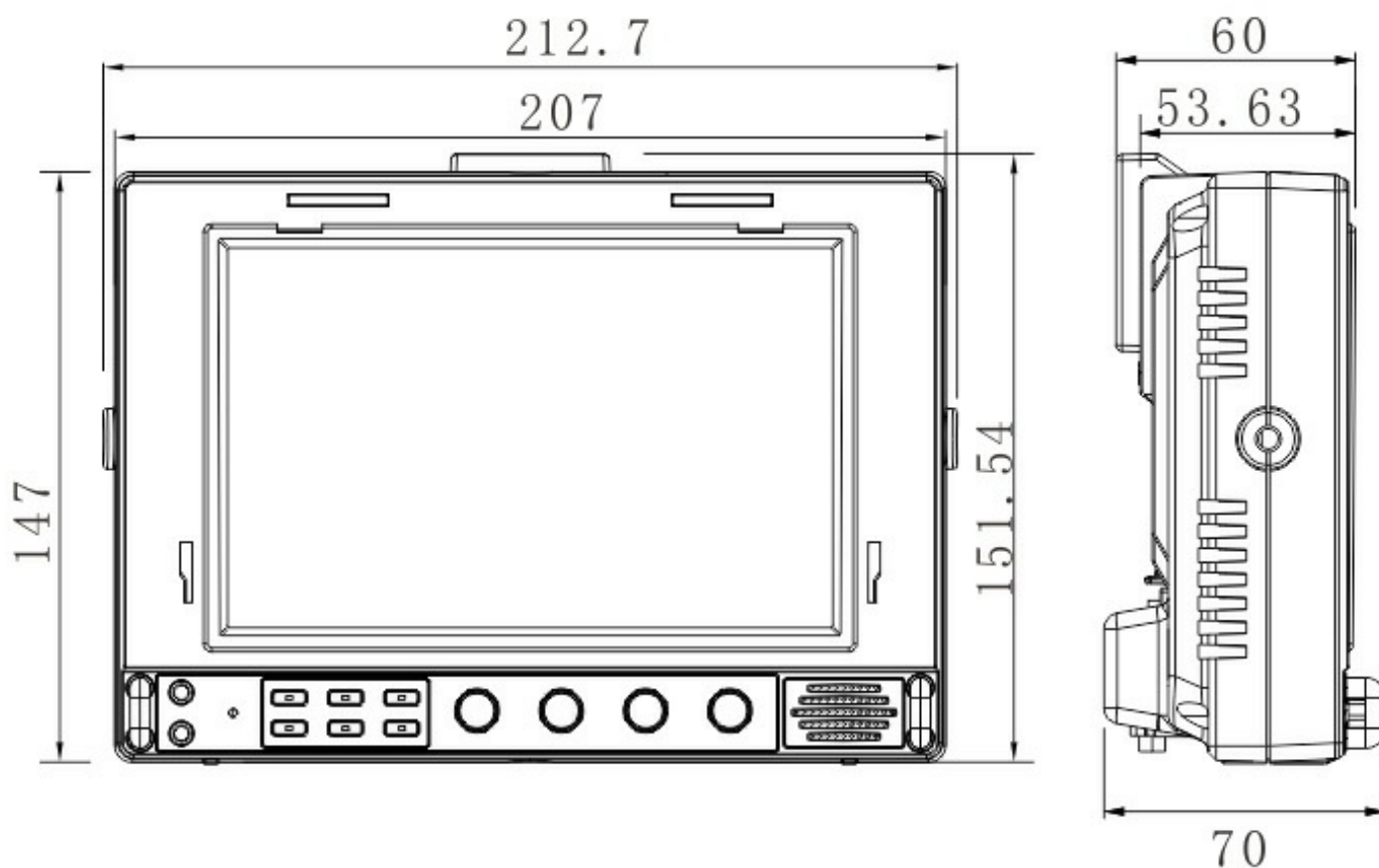
Operation

Input voltage	12V DC 4 pin XLR
Power consumption (MAX)	≤11W
Working temperature	0-10°C
Store temperature	-20-60°C
Store humidity	0%-90% No Condensation

Structure

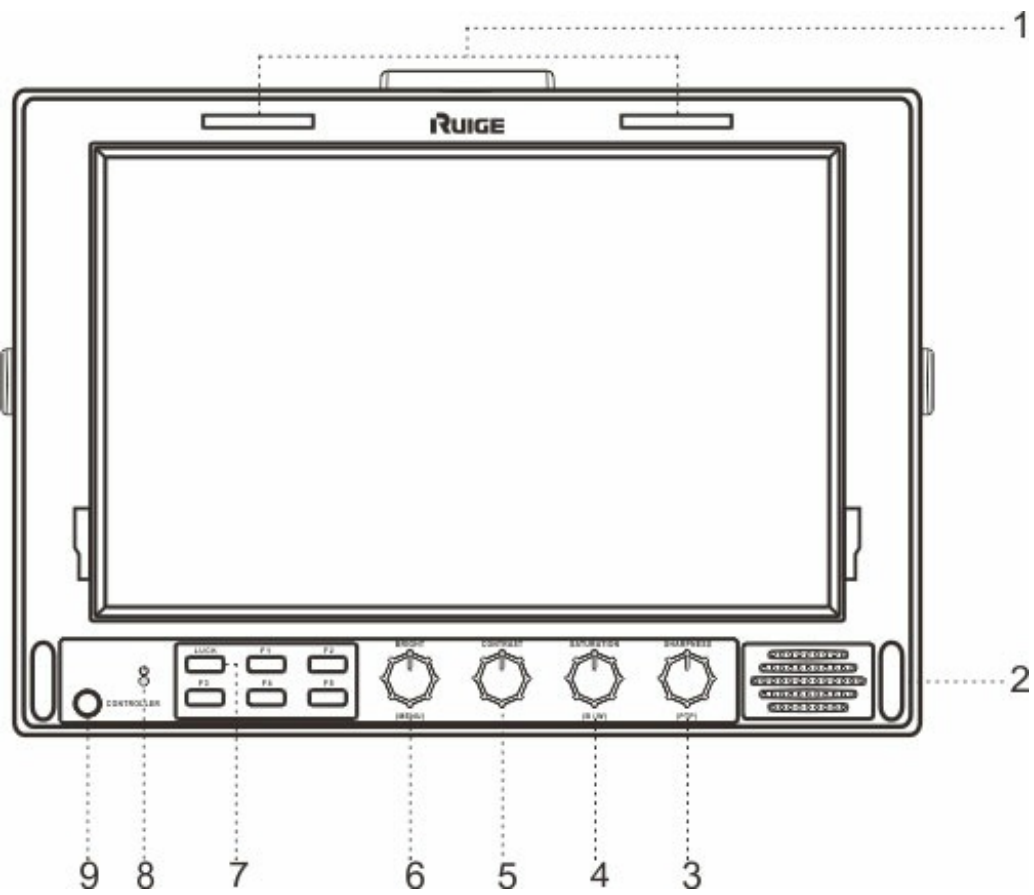
Shell material	ABS+PC
Dimension (mm)	L 207×H 147×D 44 mm
Weight	1 kg
Installing way	Camera

Outline size



Show

—



1 TALLY (indicator)

2 Protection bar

3 Sharpness / PTP

4 Saturation / Color B/W switch

5 Contrast

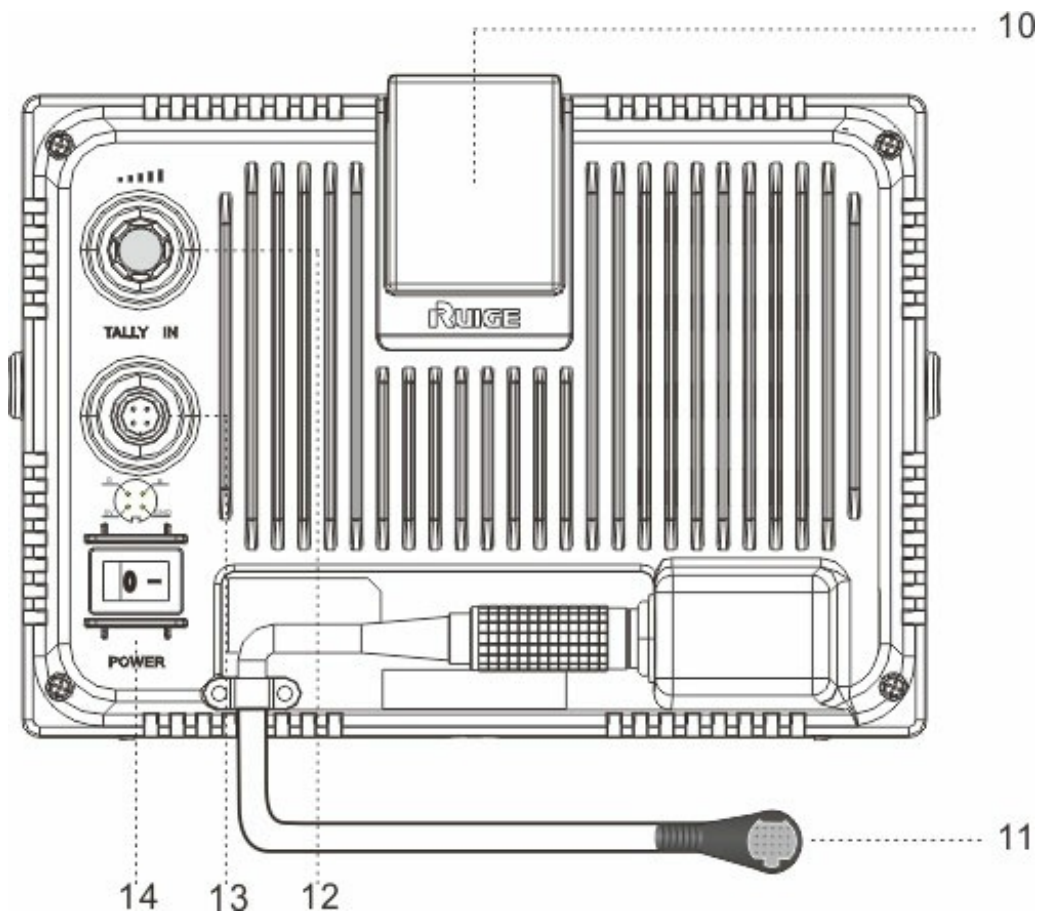
6 Brightness / OSD

7 Status lock / unlock

8 Power indicator

9 Controller jack

■F1、F2、F3、F4、F5 Shortcut (user-defined)



- 10 TALLY (indicator)
- 11 VF signal input
- 12 TALLY brightness adjustment knob
- 13 TALLY signal input
- 14 Power switch

* Website link

** Specification as per Manufacturer Catalogue dated: 28/08/2017