

CueScript™

A WAY WITH WORDS...

Prompters with style
People with passion



Contents

04 CSM PROMPTER MONITORS

06 EMC PROMPTER MONITORS

08 MOUNTING

10 TALENT MONITORS & TALENT MONITOR MOUNTS

12 ACCESSORIES

17 COLLAPSIBLE HOOD

18 CSP10S 10.4" PROMPTER

20 CUEIT SOFTWARE & CUEB

22 CONTROLS

About CueScript

When choosing a prompting company what are the main factors in making your choice? Price, manufacturer, supplier, features, build quality, after sales support? What if a prompting company ticked all of these boxes? What if a new prompting company came to market with a new way of thinking, yet held old school values and consisted of a team that collectively had more experience in the prompting industry than any other. No legacy systems to support, just looking forward from day one... Welcome to CueScript!

CueScript is a prompting company with the personal touch.

With design for purpose, ingenuity and quality at the forefront, the CueScript team have developed a range of exciting products. Understanding the needs of the customer and listening to the end user are sometimes forgotten. We invite free thinking, we want to push boundaries and we have the drive and ability to promptly react to ideas or requests. So whether it be development of bespoke systems, or general progression, we are open to customer needs and requirements. Turning an idea into product is what we thrive on.

For CueScript customer service is paramount.

From initial contact to the installation of the product, every step should be met with the right information and attention to detail. Our goal is to build long term relationships and we will only achieve that by gaining your trust. We want to be the competent, dependable choice. The prompting company you can rely on to respect, listen, advise and deliver.

A new way of thinking.

We want to make a real difference to the user experience. CueScript Teleprompters and CueiT software offer a wealth of features for today's multipurpose productions. Providing the feature set in one complete system has been fundamental in our approach to the design. CueScript has had the unique advantage of starting from a blank canvas, inspiring fresh ideas derived from industry experience each member of the team has gained within all areas of production.

CSM Prompter Monitors - LED High Brightness HD-SDI

The CueScript range of prompters add style and practicality, resulting in a balance of design for purpose and performance, with ingenuity and quality.

CueScript CSM prompters are incredibly swift to setup with integrated mounting and our CueLock feature. The CSM monitors have a sleek, low profile design that not only looks good, but is robust and durable. Low energy consumption and 3 modes of power start up mean that no fans are required. Presenters will see the difference in CueScript's range of prompters with high resolution LED screens. The built in LED Cue lights have been taken to the next level offering adjustable brightness and 180 degree viewing with a wrap-around design. The benefits of this simple yet hugely effective design will be noticed by all production teams and talent.



CSM15

Technical Specifications

Brightness	1500 nits
Contrast Ratio	700
Viewing Angle	160x140
Back light saver	User selectable timing
Reverse/Rotation	4 way picture orientation

Dimensions

Front to Back	11.52" (292mm)
Right to Left	14.16" (360mm)
Depth	2.67" (68mm)
Monitor only weight	8.2lbs/3.7kg
Complete weight with Large Hood, Glass & Mount Purple	22.4lbs/10.2kg

Video

Autosensing	PAL/NTSC/VGA/ HDMI/HD/HD-SDI Composite 75 Ohms Looping video output HD-SDI - Input HD-SDI - Output
Controls	Illuminated LED push-buttons with adjustable brightness
Timecode	LTC/VITC timecode via the video input

Power Inputs & Connectors

Internal PSU	IEC Wide Range 100-264 AC & 150VDC XLR 4pin 12v DC 36 Watts
--------------	--

Power Consumption

3 Mode adjustable power input
Low - 17 Watts
Medium - 19 Watts
High - 24 Watts

Additional Connectors

Tally DC Out	USB 5V
Tally Sensor	Mini USB Tally Sensor
USB - DC Out	5-12 Volt Tally input
	Mini USB 5V & Tally repeat
4 Pin XLR DC Out	12V 36 Watts

Certifications

CE, TUV, FCC, C-Tick, PSE, RoHS

Mounting

Integrated "On Air" Monitor mounting rails.
CueLock mounting system built in.



CSM17

Technical Specifications

Brightness	1700 nits
Contrast Ratio	1000
Viewing Angle	170x160
Back light saver	User selectable timing
Reverse/Rotation	4 way picture orientation

Dimensions

Front to Back	13.5" (344mm)
Right to Left	15.57" (395mm)
Depth	2.67" (68mm)
Monitor only weight	11.4lbs/5.2kg
Complete weight with Large Hood, Glass & Mount Purple	25.6lbs/11.6kg

Video

Autosensing	PAL/NTSC/VGA/ HDMI/HD/HD-SDI Composite 75 Ohms Looping video output HD-SDI - Input HD-SDI - Output
Controls	Illuminated LED push-buttons with adjustable brightness
Timecode	LTC/VITC timecode via the video input

Power Inputs & Connectors

Internal PSU	IEC Wide Range 100-264 AC & 150VDC XLR 4pin 12v DC 36 Watts
--------------	--

Power Consumption

3 Mode adjustable power input	Low - 27 Watts Medium - 31 Watts High - 39 Watts
-------------------------------	--

Additional Connectors

Tally DC Out	USB 5V
Tally Sensor	Mini USB Tally Sensor 5-12 Volt Tally input
USB - DC Out	Mini USB 5V & Tally repeat
4 Pin XLR DC Out	12V 36 Watts

Certifications

CE, TUV, FCC, C-Tick, PSE, RoHS

Mounting

Integrated "On Air" Monitor mounting rails.
CueLock mounting system built in.

CSM19

Technical Specifications

Brightness	1500 nits
Contrast Ratio	1000
Viewing Angle	170x160
Back light saver	User selectable timing
Reverse/Rotation	4 way picture orientation

Dimensions

Front to Back	14.51" (368mm)
Right to Left	16.92" (430mm)
Depth	2.67" (68mm)
Monitor only weight	11.2lbs/5.1kg
Complete weight with Large Hood, Glass & Mount Purple	25.4lbs/11.5kg

Video

Autosensing	PAL/NTSC/VGA/ HDMI/HD/HD-SDI Composite 75 Ohms Looping video output HD-SDI - Input HD-SDI - Output
Controls	Illuminated LED push-buttons with adjustable brightness
Timecode	LTC/VITC timecode via the video input

Power Inputs & Connectors

Internal PSU	IEC Wide Range 100-264 AC & 150VDC XLR 4pin 12v DC 36 Watts
--------------	--

Power Consumption

3 Mode adjustable power input	Low - 32 Watts Medium - 36 Watts High - 45 Watts
-------------------------------	--

Additional Connectors

Tally DC Out	USB 5V
Tally Sensor	Mini USB Tally Sensor 5-12 Volt Tally input
USB - DC Out	Mini USB 5V & Tally repeat
4 Pin XLR DC Out	12V 36 Watts

Certifications

CE, TUV, FCC, C-Tick, PSE, RoHS

Mounting

Integrated "On Air" Monitor mounting rails.
CueLock mounting system built in.

*All specifications are subject to change



EMC Prompter Monitors

The EMC monitors are a simplified version of our high end CSM monitor range, suitable for educational, middle markets & corporate use.

With the same CueScript principles of style, quality and ease of use, the EMC range of monitors are sleek, lightweight and extremely easy to set up, courtesy of the built in CueLock feature. Offering excellent image and scroll quality, the EMC monitor is the only middle market prompter with the level of features and quality needed for a mission critical product.



EMC15

15" EMC Prompter Monitor

Technical Specifications

Brightness	400 nits
Contrast Ratio	700
Viewing Angle	160x140
Native Screen Resolution	XGA 1024x768
Reverse/Rotation	4 way picture orientation

Dimensions

Front to Back	11.86" (301mm)
Right to Left	14.24" (362mm)
Depth	1.8" (46mm)
Monitor only weight	5.2 lbs / 2.4kg
Complete weight with Large Hood, Glass & Mount Purple	18.2 lbs / 8.3kg

Video

Autosensing	PAL/NTSC/VGA
Controls	Composite 75 Ohms Illuminated LED push-buttons with adjustable brightness

Power Consumption

DC Power Input	1.3 A / 15.6 Watts
DC Power Connector	2.5mm x 5.5mm Center Positive

Additional Connectors

USB - DC Out	USB-A 5V
--------------	----------

Certifications

CE, TUV, FCC, C-Tick, PSE, RoHS

Mounting

CueLock mounting system built in.



EMC17

17" EMC Prompter Monitor

Technical Specifications

Brightness	350 nits
Contrast Ratio	800
Viewing Angle	160x140
Native Screen Resolution	SXGA 1280x1024
Reverse/Rotation	4 way picture orientation

Dimensions

Front to Back	13.82" (351mm)
Right to Left	15.5" (394mm)
Depth	1.8" (46mm)
Monitor only weight	6.8 lbs / 3.1kg
Complete weight with Large Hood, Glass & Mount Purple	19.8 lbs / 9kg

Video

Autosensing	PAL/NTSC/VGA Composite 75 Ohms
Controls	Illuminated LED push-buttons with adjustable brightness

Power Consumption

DC power input	1.9 A / 22.8 Watts
DC Power Connector	2.5mm x 5.5mm Center Positive

Additional Connectors

USB - DC Out	USB-A 5V
--------------	----------

Certifications

CE, TUV, FCC, C-Tick, PSE, RoHS

Mounting

CueLock mounting system built in.



*All specifications are subject to change

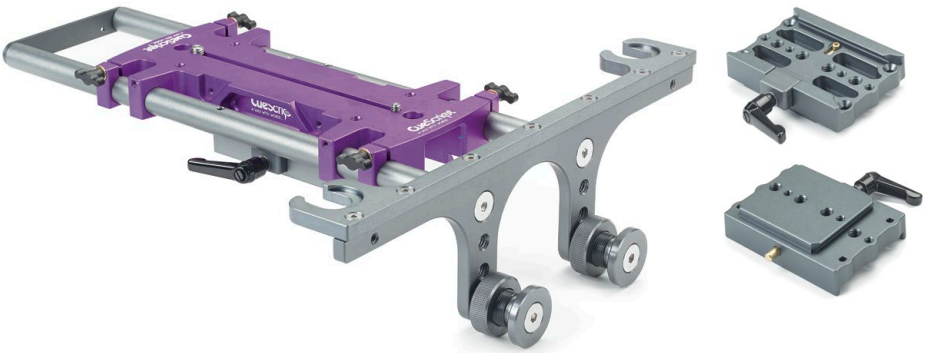
Mounting

CSMPL – Large Mount Purple plate

The CueScript Mount Purple has been designed with ease of use in mind, allowing seamless setup and balance without the use of tools.

A quick release camera plate forming is machined into the Mount Purple so fiddly screws are a thing of the past! The mounting plate acts as an additional heat sink to help dissipate the heat generated by the monitor, aiding the monitor longevity. If required a matching riser plate can be attached to the Mount Purple.

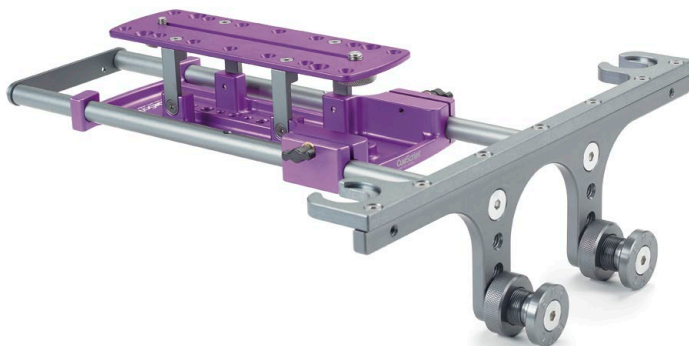
- CueLock feature for easy, fast and secure mounting.
- Fully adjustable for all fluid heads.
- Compatible with Medium and Large Hoods (CSHM and CSHL), and Collapsible Hoods (CSHCM and CSHCL), which are all easily interchangeable.



CSMPM – Medium (EMC) Mount Purple plate

Compatible with CueScript EMC Monitors only.

Suitable for lightweight setups and has a fixed height riser plate attached.



CSMPXL – Extra-large Mount Purple plate

For full size studio cameras with large super box lenses.



Mount Purple Riser Plates – 3 options of camera riser plate heights for CSMPXL
Small (3") - CSMPRS,
Medium (4") - CSMPRM,
Large (6") - CSMPRL



Telescopic Mounting Rods – 7" - CSTRM & 12" - CSTRL T-Rods for use with large studio heads



Talent Monitors & Talent Monitor Mounts

In recent years the introduction of talent monitors hung under the prompter has become increasingly popular, tidying up the studio floor and preventing the talent having to look off camera.

CueScript Talent Monitors have been built for purpose with a slim and aesthetically pleasing curved design. Available in 19" (CSTM19) and 24" (CSTM24). Power to the CSTM19 can be taken from CueScript's CSM range of prompters and integrated mounting rails allow for smooth, quick setup.

Each Talent Monitor has a corresponding mount. These Talent Monitor Mounts are super lightweight but incredibly strong, providing secure fixing for the CueScript Talent Monitors. The mount slides into the in-built rails of the CSM monitors with ease and 3 axis movement allows for full adjustability. Standard VESA mount incorporated.



CSTM19

Technical Specifications

Brightness	1500 nits
Reverse/Rotation	2 way picture orientation

Dimensions

Height	12.25" (311mm)
Width	18.25" (464mm)
Depth	1.75" (44mm)
Weight	8.5lbs/3.8kg

Video

Autosensing	PAL/NTSC/VGA/ HD-HD-SDI Composite 75 Ohms Looping video output
Input	HD-SDI/S-Video VGA/DVI HD-SDI
Output	HD-SDI
Controls	Illuminated LED push-buttons with adjustable brightness

Power Inputs & Connectors

Internal PSU	XLR 4pin 12v DC 36 Watts
--------------	-----------------------------

Certifications

CE, TUV, FCC, C-Tick, PSE, RoHS

Mounting

Integrates to the CueScript CSM monitor range via the CSTMM mount.

*All specifications are subject to change

CSTMM – Mount for CSTM19



CSTM24

Technical Specifications

Brightness	1000 nits
Reverse/Rotation	2 way picture orientation

Dimensions

Height	14.875" (378mm)
Width	23.25" (590mm)
Depth	2" (51mm)
Weight	10 lbs/ 4.53 kg

Video

Autosensing	PAL/NTSC/VGA/ HD-HD-SDI
Input	Composite 75 Ohms Looping video output HD-SDI/S-Video VGA/DVI
Output	HD-SDI
Controls	Controls Illuminated LED push-buttons with adjustable brightness

Power Inputs & Connectors

AC Mains with internal Power Supply

Certifications

CE, TUV, FCC, C-Tick, PSE, RoHs

Mounting

Integrates to the CueScript CSM monitor range via the CSTMML mount.



*All specifications are subject to change

CSTMML – Mount for CSTM24



Accessories

CSCN – CueScript CueNumber

Double digit alphanumeric tally cue light.

The CueScript CueNumber tally system is powered by mini USB and designed to plug directly into the USB output connector on the CueScript monitors. The green numbers and/or letters will change to red when the tally signal is received. LED brightness is adjustable.



CSTD – CueScript Time Display

Digital time code display with tally feature.

The CueScript Time Display has a 12 or 24 hour mode selection and doubles as a cue light, taking the camera tally signal via CueScript's photoelectric cell sensor or the wired camera tally. This changes the numbers from green to red when live/on air. It reads and displays VITC SMPTE time code both NTSC and EBU, and clock time can be externally set for when no VITC available. The CSTD Time Display mounts easily and directly to the CueScript CSM prompter range.

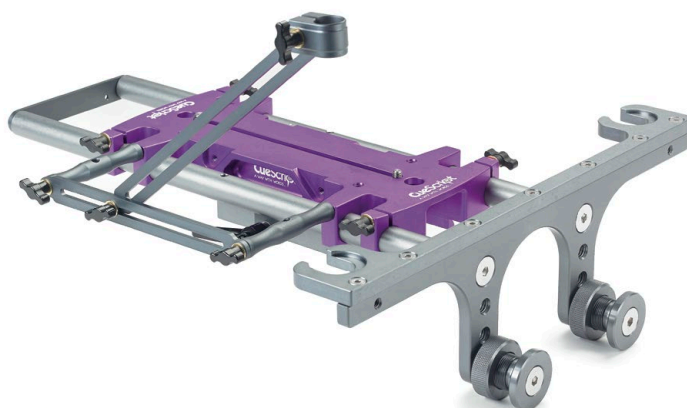
- VTC input and backup time kept with a 32kHz watch crystal.
- Power and VTC via mini USB direct from the CueScript monitor.
- Simple mounting to CueScript CSM Monitors.



CSRHS & CSRHSXL - Robotic Hood Supports

Support arms for use with robotic heads.

Lightweight but robust support arm to help further secure the prompter on a robotic head. The Robotic Hood Support comes in two sizes to accommodate all camera and lens setups. They simply attach to the Mount Purple (CSMPL and CSMPXL) plate and the hood rod, and can be adjusted to achieve optimum rigidity.



CSBW4 & CSBW4H – CueScript Counterbalance Weights

Counterbalance weights designed to attach to the rear of the Mount Purple plates.

Adjustment of the weight is simple and configurable by adding or reducing the specially designed weights. There are 4 weights included in each set and they are available in 2 sizes:

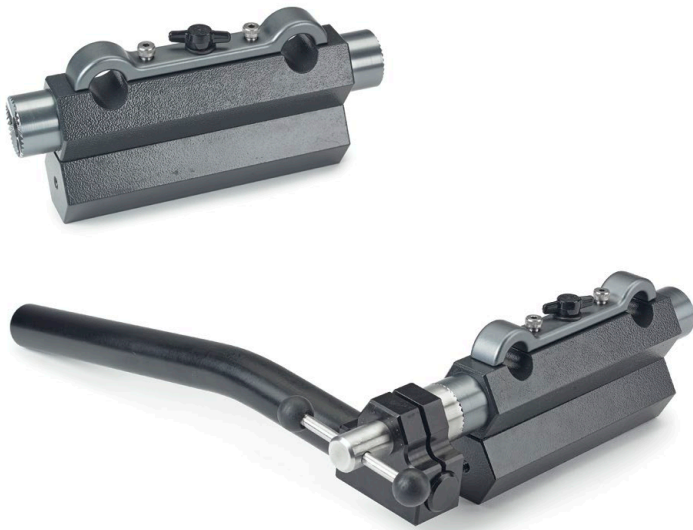
- CSBW4 - Total weight of 13.9lbs/6.3kg
- CSBW4H - Total weight of 25lbs/11.3kg



CSRPAW – CueScript Robotic Pan Arm Weight

Counterbalance weight with robotic pan arm receptacle.

- Total weight of CSRPAW: 7lbs/3.2kg.

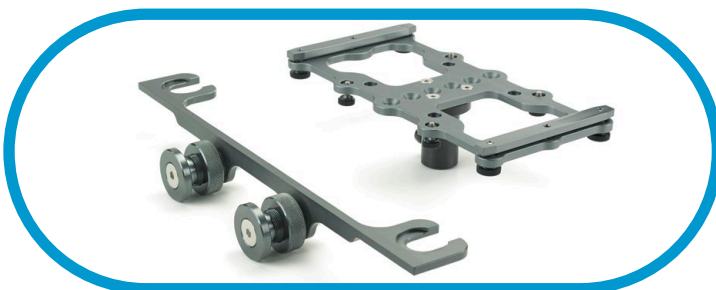


CSRA – Roll Around Stand

Wheeled stand that allows use of a full size prompter without mounting to tripod and camera.

The CSRA stand enables small, lightweight rigs or locked off shots to still have the use of a prompter. A prompt monitor and hood can be mounted directly to the CSRA stand, courtesy of a bespoke stand mount. Wheels on the steel legs enable you to roll the prompter in and out of position in front of the camera. The wheels can also be tucked away to create a static stand if required and height can easily be adjusted.

- Great for small rigs with lightweight heads and low payload tripods.
- Perfect for locked off shots.
- Fold away wheels allow for easy movability and positioning, as well as a static stand option.



**CSRAMT –
Stand Mount**
For mounting a CSM
prompter onto a stand

Collapsible Hood

CueScript Collapsible Hoods

The CueScript Collapsible Hoods are perfect for portable use.

The Collapsible Hoods are super simple to rig and can easily be transported with the glass in place. Available in small, medium and large sizes.

- **CSHCS** - Small Collapsible Hood
Perfect for jibs/cranes and small, lightweight setups. Use with CueScript Small Glass.
- **CSHCM** - Medium Collapsible Hood
Lightweight and portable full size prompter hood. Use with CueScript Medium Glass.
- **CSHCL** - Large Collapsible Hood
Portable large prompter hood for wide angle and box lenses. Use with CueScript Large Glass.



Bespoke wheeled flight case for the collapsible prompter system



CSP10S 10.4" Prompter

The CueScript team have carefully designed each part of the CSP10S to create the best professional lightweight prompter system on the market.

Small, slim and lightweight, the CSP10S is a portable yet fully featured prompting system. Boasting a 2000nit 10.4" LED screen, it is easy to read even in very bright daylight conditions and features CueScript's CueLock mounting system for swift setup. The CSP10S is adaptable to all cameras/lenses/shots, which makes it perfect for outside broadcasts (OB's), jibs and cranes.

Designed with a square prompter glass panel to allow for most wide angle camera shots. But with the incorporated straight reader mount, if the hood isn't clearing the widest shot required, you can swiftly and very simply remove the hood and convert to a straight reader above the lens.

The 10.4" LED prompt monitor then provides the finishing touch with intelligent cue lights featured on the front and top of the monitor that are automatically switched to either direction by a built-in motion sensor (accelerometer). So whether horizontal or vertical, the correct integrated cue light is automatically triggered.

CSF10

Technical Specifications

Brightness	2000 nits
Contrast Ratio	900:1
Viewing Angle	160x160 (80deg from centre in all directions)
Back light saver	User selectable timing
Reverse/Rotation	4 way picture orientation Tilt switch activator - automatically switches when unit is vertical or horizontal

Dimensions

Front to Back	8.2" (208mm)
Right to Left	10" (254mm)
Depth	1.5" (38mm)
Monitor only weight	2.2lbs (0.9kg)

Video

Autosensing	HDMI/DVI/VGA/ Composite (PAL/NTSC)
Controls	Push-buttons - Power, Menu, Up, Down, Select, Rotate adjustable brightness

Power Inputs & Connectors

Power is 2.5mm ID, 5.5mm OD barrel connector

Power Consumption

1.2A @12V DC, 14.4 Watts

Additional Connectors

DC Out: USB 5V, Tally Sensor: Mini USB

Certifications

CE, FCC, C-Tick, PSE, RoHS

Mounting

CueScript CueLock mounting system





Prompter Monitor (CSF10)

- 10.4" screen at 2.2lbs/0.9kg - slimmer and lighter in weight than any other professional prompt monitor.
- Very bright LED prompt monitor screen at 2000nits.
- No fans required, so no moving parts.
- Autosensing video inputs: Composite (PAL/NTSC), VGA, DVI and HDMI
- 5v USB out and mini USB power for cue light sensor, with cue light sensitivity adjustment control.
- Built-in intelligent cue lights for use with hood or as a straight reader.



Small Collapsible Hood (CSHCS)

- Fully collapsible, easily transportable small prompter hood.
- Simple and swift to setup and remove.
- A square prompter glass panel allows for most wide angle camera shots.
- Detachable light shielding side flaps are stored in a discreet pocket within the hood - convenient for when reading in strong daylight.

Small Mount Purple Plate (CSMPS)

- The small Mount Purple plate is designed with the same quick release features as the larger versions.
- An incorporated straight reading bracket means the system can instantly be changed to a straight reading prompter.
- The mounting system is rock solid, giving crane and jib operators the assurance of no movement or wobble at the end of a camera move.



CueiT Software & CueB

CueScript CueiT Software

A truly operator and production friendly prompting software has been born! CueiT has been developed with a deep understanding of what it is to be a prompt operator. Having had hands on experience, the development team share a vast knowledge from the studio floor to newsrooms and corporate work alike.

Simplicity of visual content, yet intensely packed with necessary and useful features, all of which can be easily viewed and accessed within the one screen – that was the task we gave ourselves and achieved in CueScript style. CueiT has a very different structure to that of other major prompting software, but upholds a familiar feel that is extremely user friendly.

The powerhouse of the CueiT software is the 'CueB', CueScript's external interface device.

CueB

CueScript Prompting Software Interface Device

The CueB is the hub of the CueScript prompting system, activating the CueiT software, enabling prompt output and control of the prompt output.

Connecting via Ethernet to a PC, the CueB has a built in VDA (video distribution amplifier) offering 2 analogue video outputs and 2 HD-SDI outputs as standard. The sleek styled box allows connectivity of multiple scroll controls via Ethernet, CAN bus over coaxial cable, or USB (direct to the computer), providing the users with interchangeable control preference.

- Compatible with Windows OS.
- Analogue and HD-SDI outputs as standard.
- Connects via Ethernet.



To suit all types of production there are 3 versions of CueiT to choose from:

Cue iT Premier

CueiT Premier

Suitable for: Education, middle market, corporate

Output: Video via a secondary graphic card output either direct from the customer's laptop/PC or via a converter e.g. HDMI/DVI/VGA to SDI/Composite.

Includes: CueiT Premier software, license key (dongle) and the CSSC desktop scroll control.

Cue iT Production

CueiT Production

Suitable for: Studio facilities, light entertainment, game shows, sport, live productions and conferences.

Connections: USB and Ethernet

Output: Composite video and HD-SDI as standard

Includes: CueiT Production software, CueB and the CSSC desktop scroll control.

Cue iT News

CueiT News

Suitable for: News, MOS connectivity and all productions using a Newsroom Computer System (NRCS).

Connections: USB and Ethernet

Output: Composite video and HD-SDI as standard

Includes: CueiT News software, CueB and the CSSC desktop scroll control.



Controls

CSSC – CueScript Desktop Scroll Control

CueScript’s desktop control device that adjusts the speed and direction of scrolling text on the prompter, featuring quick command buttons that allow navigation around the script and trigger configurable commands.

The CSSC control is used by the prompt operator, whose role can be extremely intense and highly pressured. The CSSC was created by focussing on the operator’s workflow and the tools they need.

Included with all CueiT software packages and can connect to the CueScript Foot Control (CSFSC) to be used as a deskpad.

- Ergonomically designed to reduce fatigue and RSI.
- Connects via USB, Ethernet and CAN bus over coaxial cable to the CueB (CueScript’s prompting software interface device).
- Controls commands within CueScript’s CueiT software.
- When using CueiT Premier only USB connection direct to laptop/PC is possible.

Specification

- 8 Buttons for operator or presenter control: Next Story, Previous Story, Top of Runorder, Blank Screen, Next Marker, Previous Marker and 2 x configurable command buttons.
- USB, Ethernet and CAN bus over coaxial cable connectivity when using CueiT Production or CueiT News.
- Ethernet and USB connectivity only when using CueiT Premier.
- 12v XLR input (required when employing Ethernet or CAN bus).
- RJ11 connection to the CueScript CSFSC Foot Control.



CSFSC – CueScript Foot Scroll Control

CueScript’s foot control device that operates and adjusts the speed and direction of scrolling text on the prompter.

With a stylised and sturdy design employing the very latest components for durability and reliance, the CSFSC foot control uses a capacitive encoder (CE) to give finite control and 100% reliability. Much like an accelerator pedal, the further the pedal is pushed, the faster the scroll of text. Carefully designed and engineered to provide the optimal balance of sensitivity, resistance and comfort, whether standing or seated.

The CSFSC can connect to the CueScript Desktop Scroll Control (CSSC) to act as a presenter desk pad. This means quick command buttons can be easily accessed by the presenter. These allow navigation around the script and trigger configurable commands within CueScript’s CueiT software.

- Capacitive encoder technology for super smooth scrolling.
- Connects via USB, Ethernet and CAN bus over coaxial cable to the CueB (CueScript’s prompting software interface device).
- RJ11 port allows connection to the CSSC Desktop control for use as a deskpad.

Specification

- Capacitive encoder gives 100% reliability and a lifetime guarantee.
- USB, Ethernet and CAN bus over coaxial cable connectivity when using CueiT Production or CueiT News.
- 12v XLR input (required when employing Ethernet or CAN bus).
- Reverse button offers immediate reverse action.
- RJ11 connection from the CSFSC to the CueScript Desktop Scroll Control (CSSC) to offer 8 buttons for presenter control: Next Story, Previous Story, Top of Runorder, Blank Screen, Next Marker, Previous Marker and 2 x configurable command buttons.
- For use with CueiT Premier, CueiT Production and CueiT News.



Contact us

Please feel free to contact us if you have any questions, need a quote or just to say hello!

US OFFICE:

Tel: +1 (203) 763 4030

Fax: +1 (203) 987 3798

Email: ussales@cuescript.tv

Address:

555 Lordship Blvd,
Stratford, CT 06615, USA

UK OFFICE:

Tel: +44 (0)20 3757 8880

Email: uksales@cuescript.tv

Address:

Victoria House
Harestone Valley Road
Caterham, Surrey CR3 6HY, UK



www.cuescript.tv