

OG-PINNACLE-L

SDI TO HDMI/DVI CONVERTER/SCALER WITH LOUDNESS MONITORING

Key Features

- openGear 3.0 card-based form factor
- Dashboard control enabled
- 3G/HD/SD to HDMI converter/scaler w/loudness monitoring
- ATSC A/85 and EBU R128 loudness measurement modes
- Loudness and dial norm monitoring over time
- Built-in scaler/de-interlacer
- SDI output that matches HDMI output
- Analog audio monitoring output
- Embedded audio on HDMI output
- Selectable On-Screen Display (OSD) elements
- 16 channels of embedded audio
- AFD/WSS
- Safe area
- Dynamic UMD (TSL)
- CC 608 /708
- Remote control for preset recall
- Automatic input aspect ratio detection
- Built-in alarm detections - no audio, audio high/low, no video video black, video frozen GPI contacts, can be configured
- 5 year limited warranty

Rear Module Options

(Occupies 2 Slots)

OG-Pinnacle-L-RM

- 1 x BNC Input
- 1 x BNC Output
- 1 x HDMI Output
- 1 x RJ50 for GPI/Tally
- 1 x 3-pin Connector for AA Out

Standard Accessories

- RJ50 to DB9 (for GPI)
- DB9 to Terminal Block (for GPI)

OG-Pinnacle-L-RMx

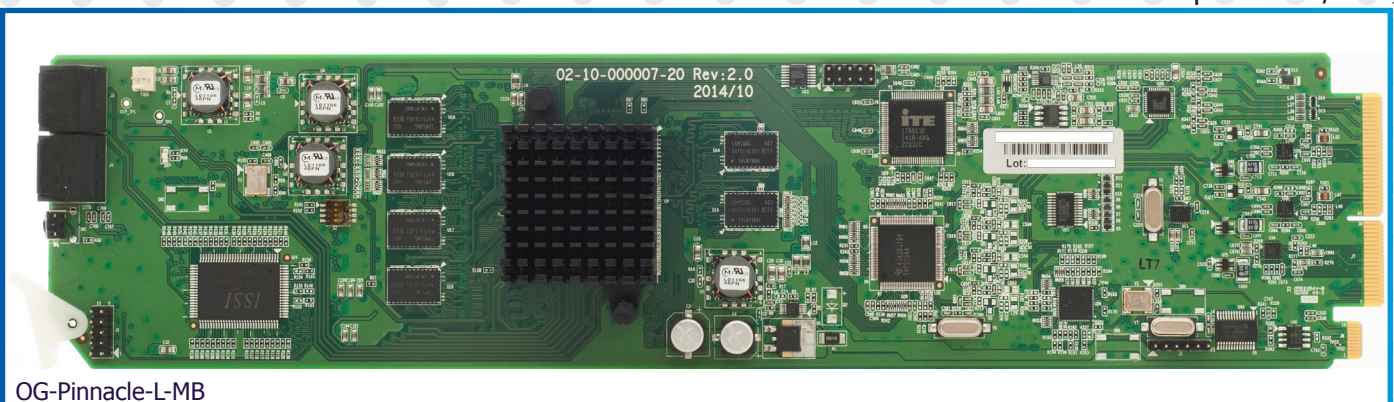
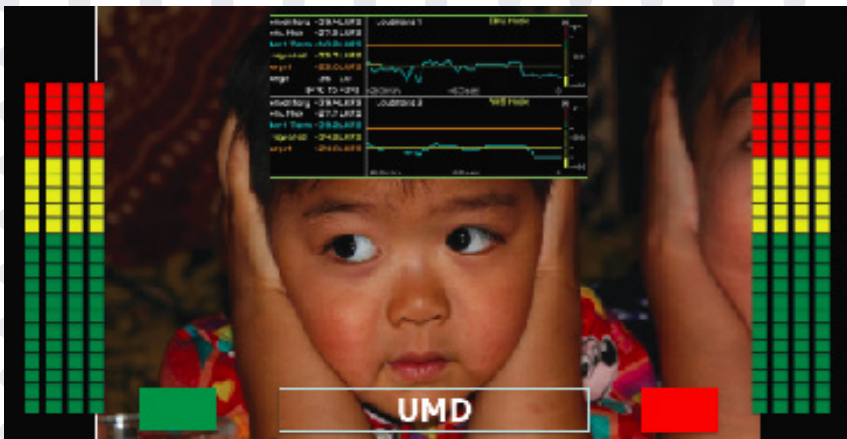
- 1 x BNC Input
- 1 x BNC Output
- 1 x RJ45 (Extended HDMI Output)
- 1 x RJ50 for GPI/Tally
- 1 x 3-pin Connector for AA Out

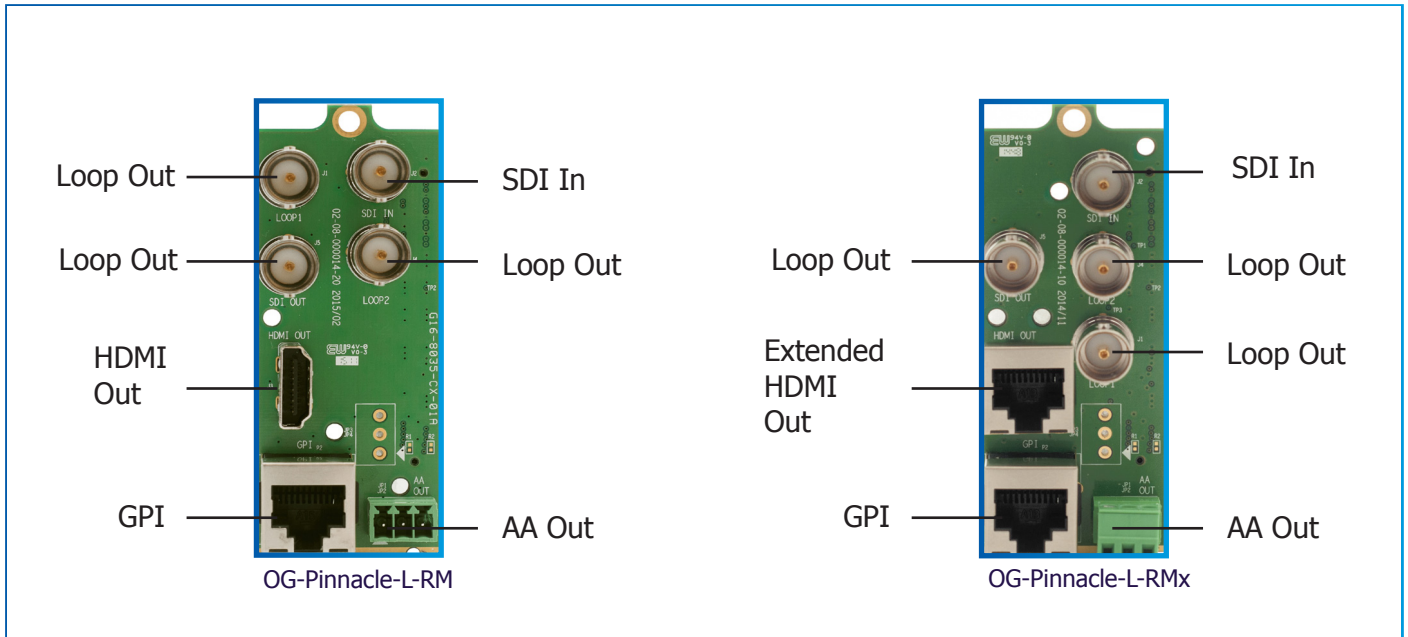
Standard Accessories

- RJ50 to DB9 (for GPI)
- DB9 to Terminal Block (for GPI)
- 1 x 15 ft CAT6 cable
- 1 x RJ45 to HDMI (HDMI-SR)
- 1 x RJ45 to DVI (DVI-SR)

Optional Accessories for RMx

- HDMI-1-R
(Active HDMI Receiver that supports 1080p resolution up to 115 ft /35m)
- DVI-1-LR
(Active DVI Receiver that supports 1080p resolution up to 115 ft /35m)
- VGA-Rec
(VGA output receiver that supports 1080P resolution up to 35 ft /10m)





How to Order

- OG-Pinnacle-L-SET-1: OG-Pinnacle-L-MB + QG-Pinnacle-L-RM
- OG-Pinnacle-L-SET-2: OG-Pinnacle-L-MB + OG-Pinnacle-L-RMx

SPECIFICATIONS			
Total Windows	1	Output	1 x HDMI/DVI, 1 x SDI
Inputs	3G/HD/SD-SDI/Composite	HDMI (OG-Pinnacle-RM)	800x480 to 1920x1200 (1080p) 50/59.94/60Hz
Serial Digital	SMPTE 424M 292M, 259M	RJ45 (OG-Pinnacle-RMx)	Up to 35 feet with passive receiver Up to 115 feet with active receiver (option)
Equalization	120m at 2.97 Gbps, 140m at 1.48 Gbps, 400m at 270 Mbps with Belden 1694A	SDI	Matching the HDMI output resolution up to 3G
Return Loss	> 15db up to 1.485 Gbps, > 10db up to 3G	On Screen Display	Borders, Labels, Tallies, Audio meters, Alarm tags, Safe area markers
Embedded Audio	SMPTE-272M-A	GPI	8 for tally or AXP (ASCII command)
Composite	NTSC (SMPTE-170M), PAL (ITU624-2)	IP	100 Base-T, TSL, AXP_Lite protocol
Signal Level	1V nominal	Power	15W
DC Offset	0V, + - 0.1V		
Impedance	75 ohm		
Return Loss	40db up to 5MHz		