

OG-MICRO-4K

UHD/4K DOWN CONVERTER

Key Features

- openGear 3.0 card-based form factor
- Dashboard control enabled
- 4 3G-SDI inputs
- Low power consumption - 12W
- Single frame processing delay
- Decode up to 16 embedded audio per SDI input
- Display up to 8 audio meters per window
- Ethernet for configuration, dynamic labels & Tallies (TSL)
- Simultaneous HDMI/DVI and SDI outputs
- 2 GPI tallies per window
- 8 x GPI contacts, can be configured for tally or ASCII protocol
- One 32 characters label per window
- Text and background colors have adjustable transparency
- Safe area markers
- Visual Alarm tags for audio and video presence
- Dynamic (TSL) UMD/Label
- Stereo analog audio monitoring output
- HDMI and SDI embedded monitoring audio output
- 5 year limited warranty

Rear Module Options (Occupies 2 Slots)

OG-Micro-4K-RM

- 4 x BNC Input
- 1 x BNC Output
- 1 x HDMI Output
- 1 x RJ50 for GPI
- 1 x 3-pin Connector for AA Out

Standar Accessories

- RJ50 to DB9 (for GPI)
- DB9 to Terminal Block (for GPI)

OG-Micro-4K-RMx

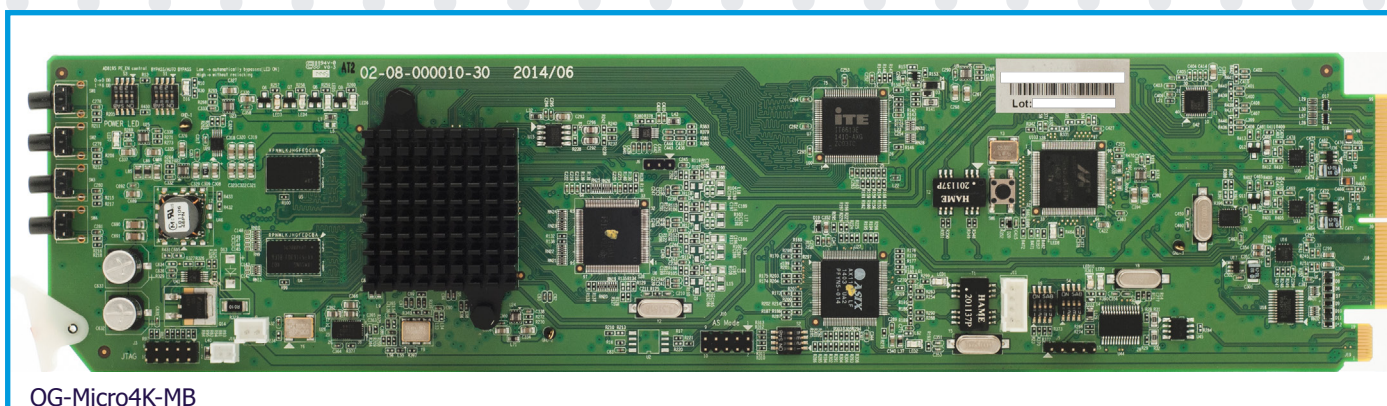
- 4 x BNC Input
- 1 x BNC Output
- 1 x RJ45 (Extended HDMI Output)
- 1 x RJ50 for GPI
- 1 x 3-pin Connector for AA Out

Standar Accessories

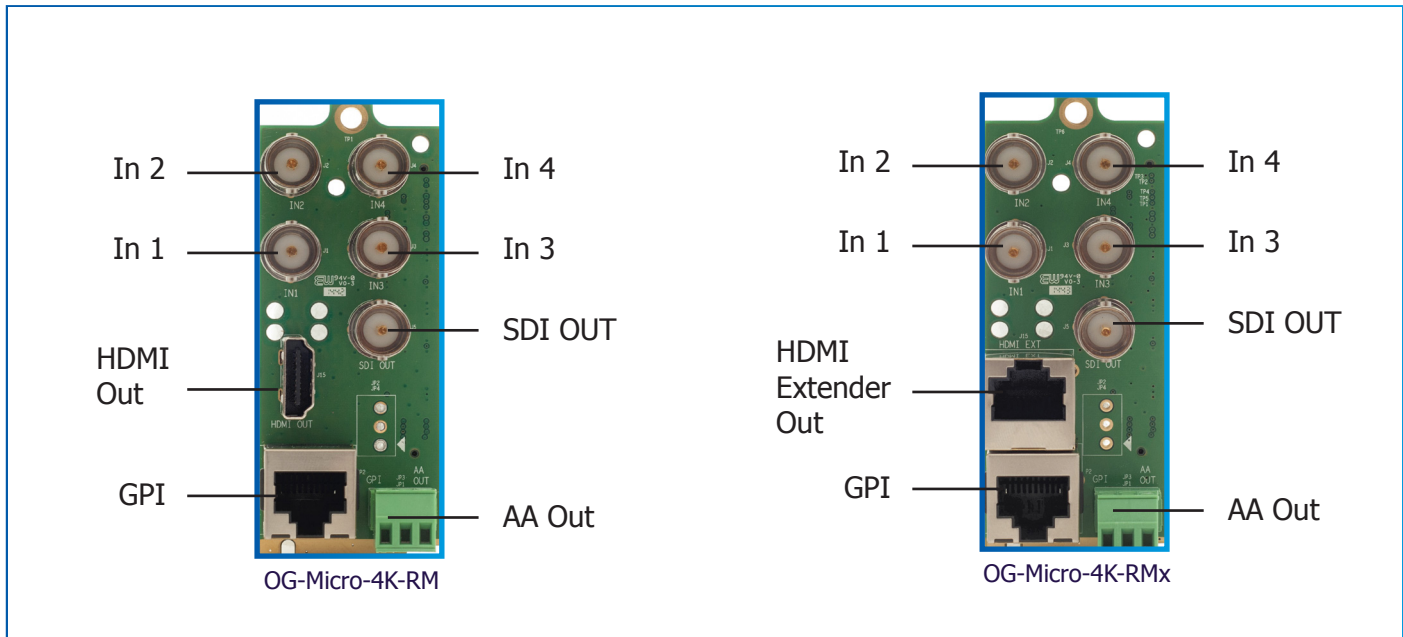
- RJ50 to DB9 (for GPI)
- DB9 to Terminal Block (for GPI)
- 1 x 15 ft CAT6 cable
- 1 x RJ45 to HDMI (HDMI-SR)
- 1 x RJ45 to DVI (DVI-SR)

Optional Accessories for RMx

- HDMI-1-R
(Active HDMI Receiver that supports 1080p resolution up to 115 ft /35m)
- DVI-1-LR
(Active DVI Receiver that supports 1080p resolution up to 115 ft /35m)
- VGA-Rec
(VGA output receiver that supports 1080p resolution up to 35 ft /10m)



OG-Micro4K-MB



How to Order

- OG-Micro4K-SET-1: OG-Micro4K-MB + QG-Micro4K-RM
- OG-Micro4K-SET-2: OG-Micro4K-MB + OG-Micro4K-RMx

SPECIFICATIONS			
Total Image	1	Output	1 x HDMI/DVI, 1 x SDI
Inputs	3G/HD/SD-SDI/Composite	HDMI (OG-Micro-4K-RM)	800x480 to 1920x1200 (1080p) 50/59.94/60Hz
Serial Digital	SMPTE 424M 292M, 259M	RJ45 (OG-Micro-4K-RMx)	Up to 35 feet with passive receiver Up to 115 feet with active receiver (option: HDMI-1-R)
Serial Digital	SMPTE 424M, 292M, 259M	SDI	Matching the HDMI output resolution up to 3G
Equalization	120m at 2.97 Gbps, 140m at 1.48 Gbps, 400m at 270 Mbps with Belden 1694A	On Screen Display	Borders, Labels, Tallies, Audio meters, Alarm tags, Safe area markers
Return Loss	> 15db up to 1.485 Gbps, > 10db up to 3G	GPI	8 for tally or AXP (ASCII command)
Embedded Audio	SMPTE-272M-A	IP	100 Base-T, TSL, AXP_Lite protocol
Composite	NTSC (SMPTE-170M), PAL (ITU624-2)	Power	12W
Signal Level	1V nominal		
DC Offset	0V, + - 0.1V		
Impedance	75 ohm		
Return Loss	40db up to 5MHz		