

**⚠ WARNING**

Before operating this equipment, please read this manual carefully and retain this for future reference.

This equipment may cause harmful, if not installed and used in accordance with this manual.

**Attention to users**

**⚠ WARNING** Please follow this instruction for your safety reason.

- Keep the maximum load capacity.  
Excess load capacity may cause damage to equipments and unexpected incident.
- Firmly tighten the lock lever and screw.  
Without tightening lock and screw may cause damage to the camera or harmful to users.
- Make sure that tripod is firmly positioned when camera is mounting.  
This equipment would cause harmful or damage to camera, if the tripod is not properly installed or used in accordance with this manual.
- Do not dismantle or modify the parts.  
Dismantling or modification may cause a person injury or a product failure.  
If there are problems, stop using the device and contact the store or LIBEC customer service.

**Main features**

- 3-position counter balance.  
Unique for it's class, the H22DV is fitted with an adjustable three positions of counter balance for front or back heavy cameras as well as standard cameras weighting up to 4kg.
- Quick release mounting plate.  
The removable camera mounting plate is fitted with a sliding screw for fine adjustment of counter balance. The camera mounting plate composition, made from extraordinarily strong magnesium alloy.
- 75mm ball head.  
Making leveling smooth and steady.
- New tilt brake system.  
Disc caliper is used for tilt brake which will fix the head steady.

**Caution for users**

1. Camera must be removed during transportation.
2. Holding only pan handle for carriage is causing damage to tripod.
3. When tilting or panning, it is important to loose the locking knob completely.

**Attach to the tripod**

1. Loosen the ball leveler fixing handle and remove it.
2. Mount the head on to the tripod and fix firmly.
3. Adjust the pan handle position.
  - ① Loosen the pan handle lock knob.
  - ② Adjust the position.
  - ③ Firmly tighten the pan handle lock knob.

**Mount the camera**

- The maximum load capacity is 4kg.  
Do not exceed the load capacity.
- The quick shoe plate slides 33mm back and forth from center for fine adjustment.

**⚠ Attention** When remove or mount the camera, firmly tighten the tilt lock knob with counter balance knob position "ON". Do not add extra accessories after camera mounted which cause collapsing the tripod.

1. Make sure that tilt lock knob is tightened when counter balance switch is ON.
2. Remove the quick shoe plate.
  - ① Loosen the shoe plate lock lever.
  - ② Pull up the shoe plate.
3. Mount the camera.  
Set the camera screw and video boss to camera and firmly tighten.
4. Set camera to tripod.
  - ① Fix the camera on to the quick shoe plate and set it back to the head which is automatically locked.
  - ② For safety reason, firmly tighten the shoe plate lock lever.
5. Adjust the head leveling.
  - ① Loosen the ball leveler fixing handle.
  - ② Adjust the head for leveling.
  - ③ Firmly tighten the ball leveler fixing handle.

**Counter balance adjustment**

- Optimum counter balance is available depending on 3 position counter balance switch.

**⚠ Attention** When adjust the counter balance with camera on, it is necessary to hold the pan handle to avoid the collapsing the tripod.

**Leveling**

- If required balancing the head, adjust the camera screw position back and forth and set the camera on to tripod.

**Front and Rear heavy application**

- If required further front heavy application such as wide lens, it is recommend following instruction.

1. Loosen the tilt lock knob and set the counter balance switch "OFF".

**⚠ Attention** When adjust the counter balance switch on, it is necessary to hold the pan handle to avoid the collapsing the tripod.

2. Hold the pan handle, and move the head upwards or downwards to the desire icon position, set the counter balance switch to "ON" position.
3. Make sure that switch has been changed using pan handle up and down.

**Usage of counter balance switch OFF**

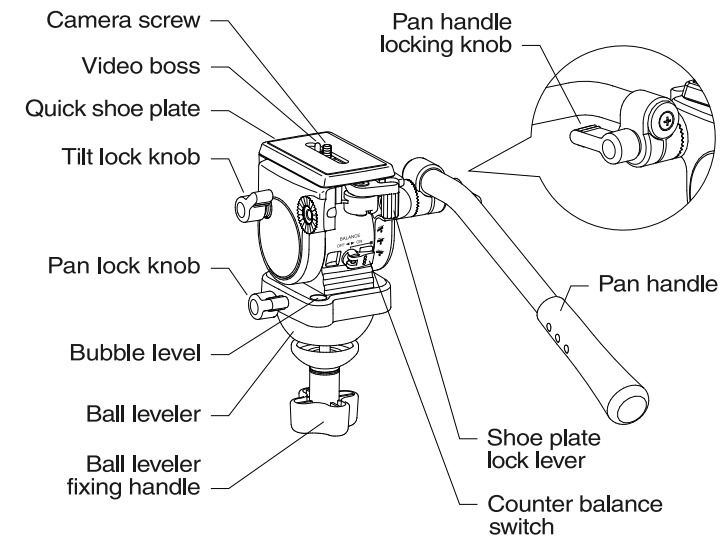
- If counter balance spring is strong enough, set the counter balance switch OFF.

**Pan and Tilt**

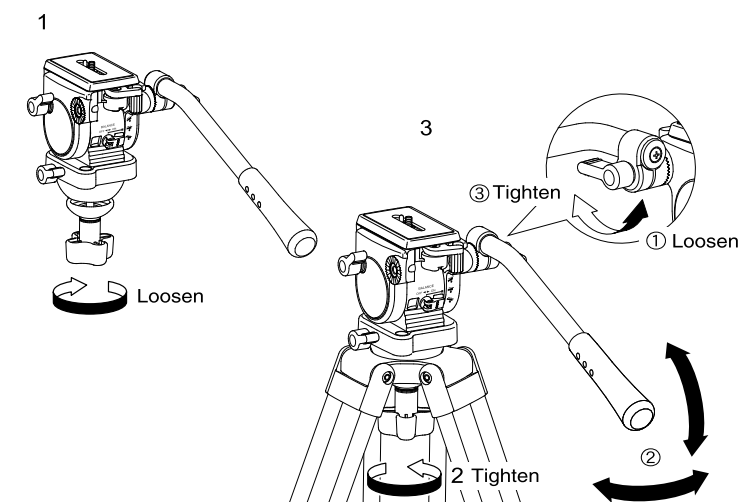
- Panning  
Set free the pan lock knob and move left and right for movement. If need lock, firmly tighten the lock knob.
- Tilting  
Set free the lock knob and move up and down for movement. If need lock, firmly tighten the lock knob.

**⚠ Attention** Do not use the half locking status for balancing.

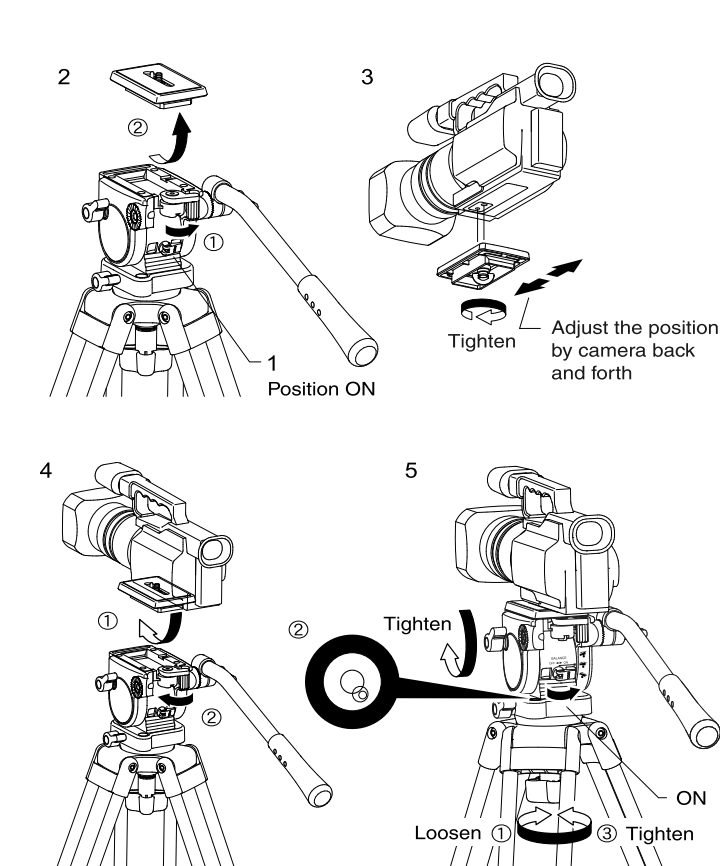
**Description of head**



**Attach to the tripod**

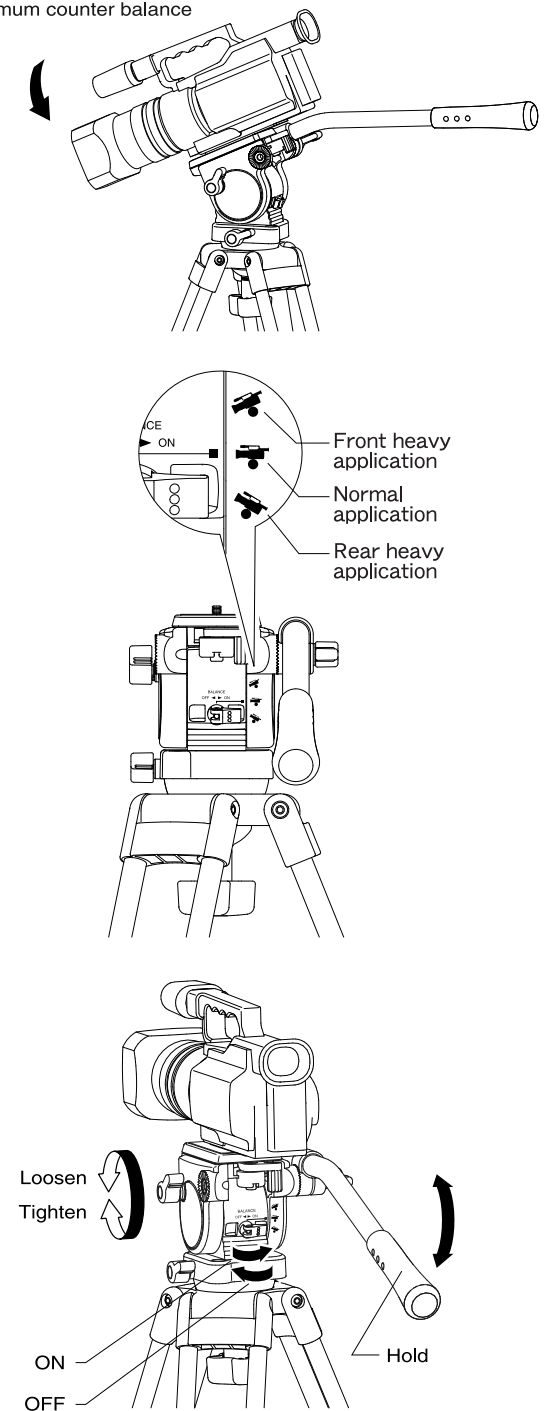


**Mount the camera**

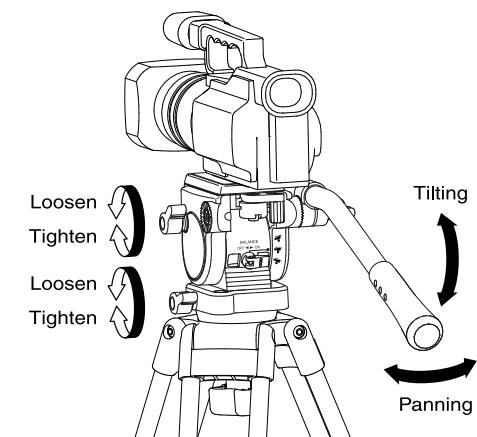


**Counter balance adjustment**

Secure optimum counter balance



**Pan and Tilt**



# Libec

System Package

## LS-22

T58 (TRIPOD)  
SP-1 (Ground spreader)

## LS-22(2A)

T68 (TRIPOD)  
SP-1 (Ground spreader)

## LS-22M

T58 (TRIPOD)  
BR-1S (Mid spreader)  
FP-1 (Foot pad)

## LS-22M(2A)

T68 (TRIPOD)  
BR-1S (Mid spreader)  
FP-1 (Foot pad)

(No. : 0801-D80016B-E)

### Caution for users

1. Do not use the tripod without spreader.
2. Make sure that pan handle is adequately loosened before standing the tripod.
3. When use spikes, remove the rubber cap for usage. It may damage floor in such cases.
4. Make sure that leg folder is firmly tighten for transportation.

### Set up the tripod

1. Remove the leg folder.  
It is automatically back to normal position if free the leg folder.
  2. Fix the leg position as you like.  
It is recommended to adjust the position before standing the tripod.
    - ① Loosen the leg lock as leg is folding.
    - ② Adjust the leg position as same length and tighten the leg lock. (Firmly tighten to the marked position)
- CAUTION** Do not over turn the lock knob which cause damage to the tripod.
3. Open the tripod.  
Before open the tripod completely, spreader SP-1 will be installed.

### Set the SP-1

1. Loosen the lock knob on SP-1.  
There are 3 positions to be loosened the lock knob.
2. Set to leg.
  - ① Set the leg spike on the SP-1 foot pad part.
  - ② Pull the rubber and place on to the spike.
  - ③ Same way for other 2 legs.
3. Open the tripod.
  - ① Based on the SP-1 scale, adjust the leg angle.
  - ② Firmly tighten the SP-1 lock for 3 position.

### Remove the SP-1

When use the BR-1S as replacement for SP-1, follow the instruction.

**CAUTION** Camera must take out from head.

1. Pull the rubber and remove.
2. Same way for other 2 legs.

### Remove and attach of the BR-1S

When use the SP-1 as replacement for BR-1S, follow the instruction.

**CAUTION** Camera must take out from head.

1. Remove the BR-1S by pulling out 2 knob each side.
2. When attach the BR-1S, put in the each side of knobs to the legs.

### Adjust the leg position using the BR-1S

1. Loosen the BR-1S lock nut.  
Make sure that BR-1S is flat and loosen others.
2. Open the tripod.
  - ① Adjust the leg angle.
  - ② Tune the BR-1S lock nut and firmly tighten.

### Place the head

Ball leveler diameter is required 75mm.  
Please read the instruction for setting.

### Fold the leg

**CAUTION** Camera must removed before folding the leg. Pan handle must be loosened after leg folded.

1. Loosen the SP-1 lock knob or BR-1S all lock nuts.
2. Fold the leg.
  - ① Standing the leg without bending the SP-1 or BR-1S.
  - ② Loosen the each of leg lock knob.
  - ③ Automatically leg is folding after leg lock free.

**CAUTION** It may cause finger pinching when it is folding.

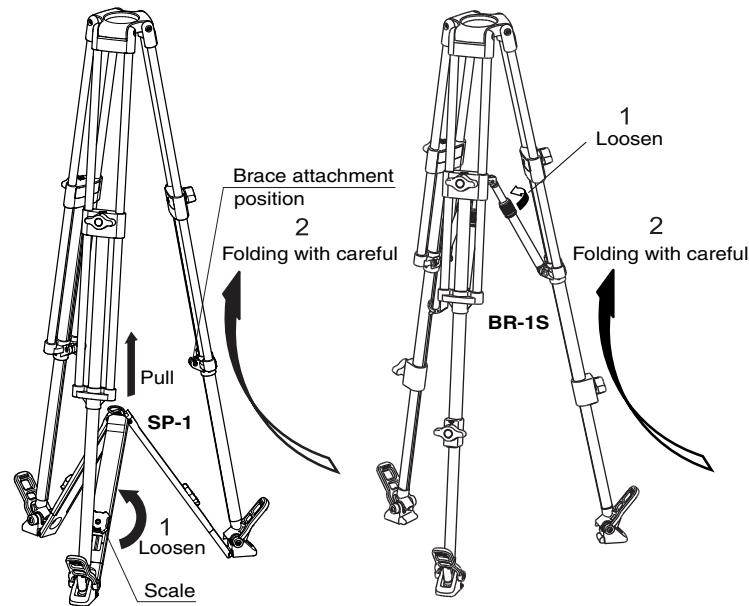
- ④ In order to fold the leg properly, SP-1 and BR-1S must be attached as position indicated.

**CAUTION** Do not use force for folding the leg when the SP-1 is not properly installed.

- ⑤ Firmly tighten the leg lock knob.

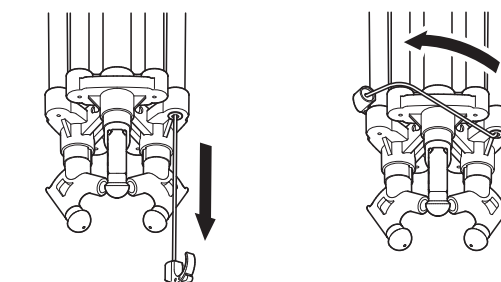
3. Bundle the leg with leg folder.

- ① Pull out the hook from leg folder.
- ② Firmly fix the leg with leg folder.

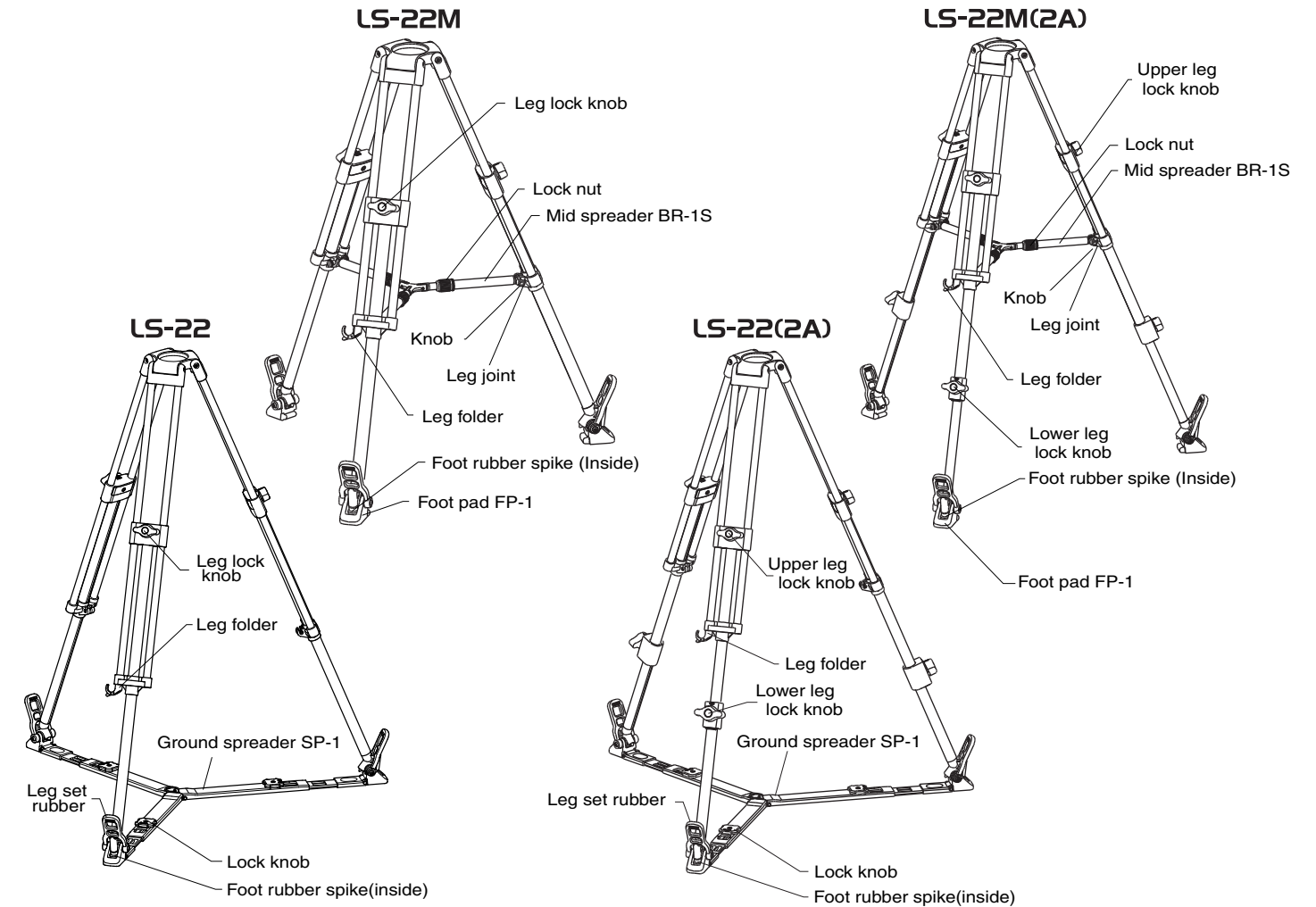


3. Bundle the leg with leg folder

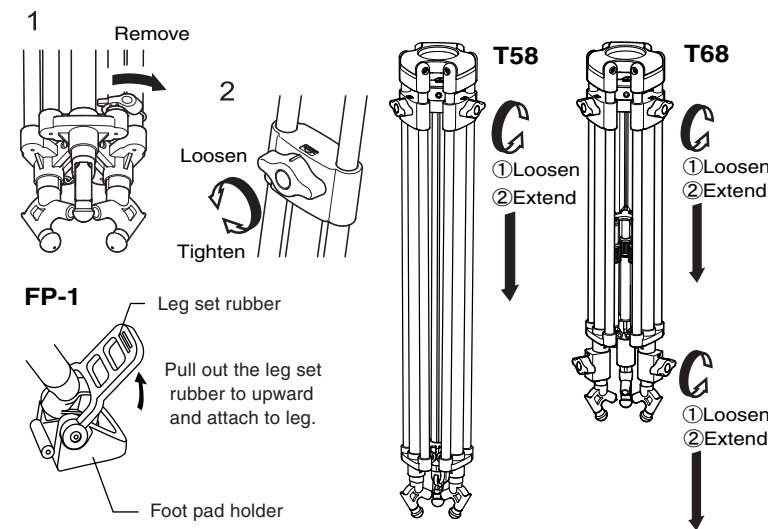
- ① Pull the leg folder
- ② Bundle 3 legs



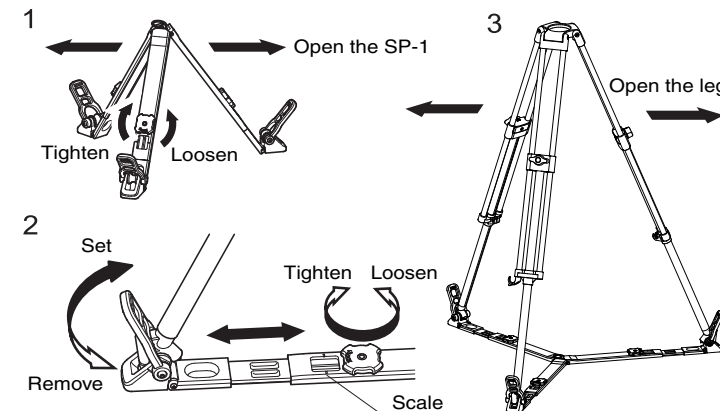
### Part name



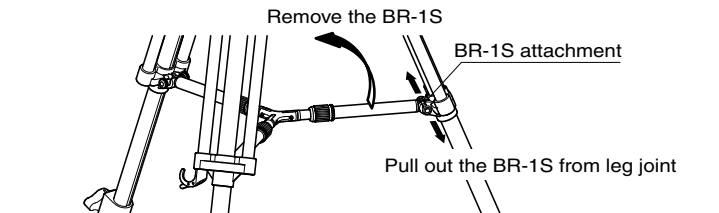
### Set up the tripod



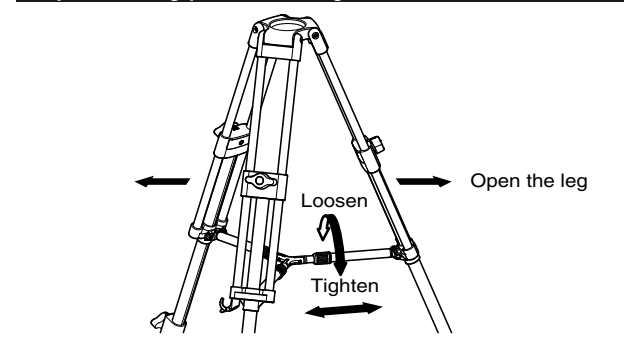
### Set the SP-1



### Remove and attach of the BR-1S



### Adjust the leg position using the BR-1S



### Caution for users

