

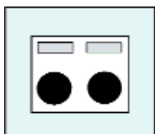
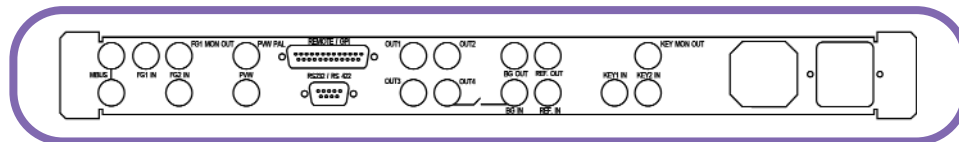
General

The **MKR200** is a 10 bits switcher with mix and wipes (internal 12bits).

The **MKR200** fits into any configuration that needs to key titles, graphics or logos, in the digital broadcast area, i.e, production, post-production, OB vans, satellite, transmission... Easy to use and transparent for embedded audio.



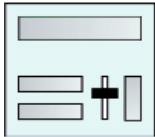
MKR200



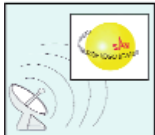
- Editing switcher
- Post production (GVG100 protocole)
- OB vans



- Telecine
- Color comparator
- Border cleaning
- CROP for 16/9



- Additional keying level for mixing purposes



- Keying before on air transmission
- Satellite transmission

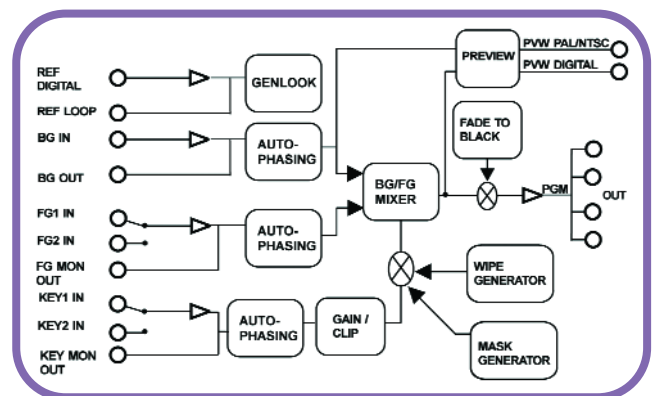
- 525/625 lines automatic selection
- CUT/MIX/WIPES
- 4 Wipes
- Wipes and mask adjustable soft edge
- Frame and milliseconds adjustable transmission
- CROP, edge cleaning
- MASK
- Separate fade to black
- RS422 remote control for editing system (GVG100 protocol)
- RCK2, serial remote control
- GPI inputs and Tallys
- RS232 /422 /485
- Several keyers can be controlled from one RCK2
- Coaxial cable interconnect between keyer and RCK2, 75 ohms (max. 100 M)
- Overall dimensions : 44,5 X 483 X 425 mm - 1U 19"
- Weight : 5Kg
- Power supply : 100-240V AC, 50/60 Hz, max. 50 VA
- Temperature 0 - 45°C
- Redundant power supply (optional)
- CE & FCC Part 15 compliant

Specifications

- Front panel control
- Internal 12 bits
- 10 bits 4:2:2 serial digital video inputs/outputs
- SDI reference input with active loop-through
- 2 Fill inputs and 2 key inputs, monitoring
- Works as well 4/3 as 16/9eme
- BG input, with loop trough
- Totally transparent for VITC audio on BG
- One line autophasing on the inputs
- 4 program digital outputs
- 1 Digital preview output
- 1 PAL/NTSC preview output

Options

- **RCK2** : Advanced remote control panel, serial port
- **RCK1** : Simplified remote control panel, parallel port
- **CREM/MKR-10** : 10 meters cable for RCK1 remote control panel
- **CREM/MKR-25** : 25 meters cable for RCK1 remote control panel



General

RCK1 and **RCK2** are remote control units for one or several digital mixer keyers (MKR200).

Due to their ergonomy, **RCK1** and **RCK2** are user friendly and offer all the key fonctionnalities for news, live, post-production...

RCK2 : Advanced serial port remote control

RCK1 : Simplified parallel port remote control



RCK2



RCK1

Controls one keyer.
Parallel port (25m max).

- | | |
|----------------|--|
| KEY 1
KEY 2 | • 2 inputs selection with autophasing |
| GAIN CLIP | • Gain (X8) and clip adjustment |
| LOCK | • Lock functions (only RCK2) |
| MEMORIES | • 32 memories (Only RCK2) |
| FADE | • Fade to black |
| [Wipe Icon] | • 4 Wipes with "soft" or "hard" transition (only RCK2) |
| [MIX Icon] | • MIX |
| [T-BAR Icon] | • T-BAR, manual or automatic transitions, programmable rates |
| MASK | • MASK with soft (line or pixel adjustment) (only RCK2) |
| [CROP Icon] | • CROP for edge picture cleaning (line or pixel adjustment) |

Specifications

- | RCK1 | RCK2 |
|------|--|
| ◆ | • 2 inputs select with lock |
| ◆ | • 2 modes : keyer or mixer |
| ◆ | • Cut |
| ◆ | • Mix effect |
| ◆ | • 4 square patterns |
| ◆ | • Soft wipes |
| ◆ | • T bar |
| ◆ | • Normal/reverse selection |
| ◆ | • Auto transition |
| ◆ | • Rate adjustment in frames or milliseconds |
| ◆ | • Analog Rate adjustment |
| ◆ | • Gain/clip adjustment with displayed value and lock |
| ◆ | • Analog Gain/clip |
| ◆ | • 100 % indicator |
| ◆ | • Box mask adjustment with displayed position in lines and pixels |
| ◆ | • Soft mask |
| ◆ | • MASK generator with position displayed in lines and pixels |
| ◆ | • MASK with soft edge |
| ◆ | • CROP (black around the picture) adjustment with displayed position in lines and pixels |
| ◆ | • Lock possibility on mask and crop |
| ◆ | • Automatic fade with rate adjustment and lock |
| ◆ | • Led / display brightness control |
| ◆ | • 32 memories and preset |
| ◆ | • Editing function |
| ◆ | • Light level adjustment of LEDs and display |
| ◆ | • Possibility to control several keyers with only one RCK2 panel |
| ◆ | • Parallel remote control (25 M max.) SUBD25 |
| ◆ | • Serial remote control |
| ◆ | • Cable between keyer and remote : 75 ohms coaxial cable (max. distance 100M) |
| ◆ | • Overall dimensions 240 X 175 X 50 mm |
| ◆ | • Size 4U - 1/2 19" |
| ◆ | • Weight : 2 Kg |
| ◆ | • Power supply : external 100-240 V AC, 50/60 Hz, 10 VA max |
| ◆ | • Temperature 0 - 45°C |

Options

- **RCK2** : Advanced remote control panel, [serial port](#)
- **RCK1** : Simplified remote control panel, [parallel port](#)
- **CREM/MKR-10** : 10 meters cable for RCK1 remote control panel
- **CREM/MKR-25** : 25 meters cable for RCK1 remote control panel