

General

The LG50C is a cost effective digital clock generator, with built in keyer.

Description

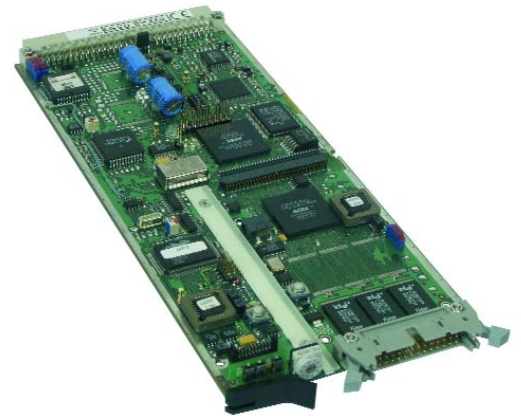
- Broadcast digital clock generator
- Static and animated logos
- Euronorm board
- Up to six clocks generators in a 1U – 19" frame
- Can be fitted in MX-AIR and RK family frames

Applications

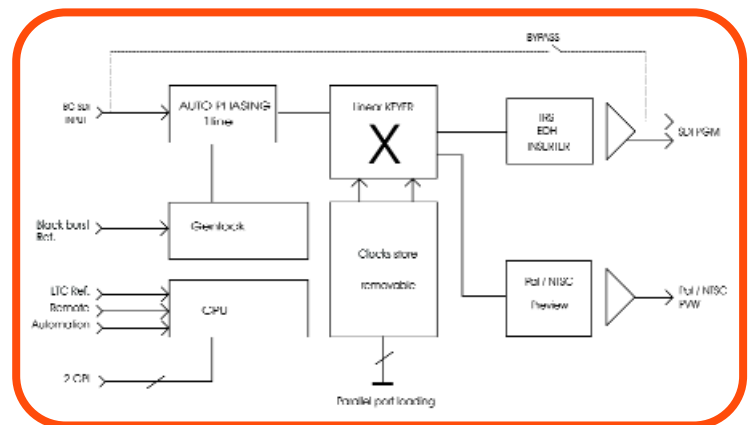
- Satellite TV
- Cable TV
- Multilayers applications

Specifications

- Digital clock HH:MM:SS
- No limitation of clock positioning on the screen
- Smooth fade capability
- Storage capacity of 12 Mbytes (expandable to 48)
- Storage memory on a removable board
- Processing 4:2:2:4 4/3 or 16/9 formats
- Built in linear keyer 10 bits
- Windows software provided for configuring clock size / transparency / position and download to the storage board
- Clocks download from set up PC with parallel port
- Standard input file : BMP and TGA
- Remote control panel (option RCS8) for clock recall and repositioning
- Security bypass upon power failure
- 1 SDI background input with 1 line auto-phasing
- 2 Digital PGM outputs (sync processed with genlock)
- 1 Analog preview output
- External black burst reference
- External time reference LTC balanced
- Genlock with H/V phase adjustment
- 525/625 operation



LG50



- EDH inserted
- Transparent to ancillary data and embedded audio
- 2 serial communication ports (1 for remote control / 1 for automation)
- 2 closing contacts for GPI control
- Hotswap board
- Euronorm board 220 x 110 mm
- Up to 6 boards in 1U rack frame (RK6)
- CE & FCC Part 15 compliant

Options

- **LG50-OPT5** : Serial download board
- **LG50-OPT 6** : Digital Fill Key outputs
- **MEM-24/48** : Memory extensions to 24/48 Mbytes
- **FMC-12/24/48** : Memory boards to 12/24/48 Mbytes

Related products

- **RK6-3** : 1U-19" frame for 3 Euronorm boards with 1 power supply
- **RK6** : 1U-19" frame for 6 Euronorm boards with 1 power supply
- **RK6D** : 1U-19" frame for 4 Euronorm boards with 2 power supplies
- **RK14L** : 1U-1/4 19" frame for 1 Euronorm board with 1 power supply
- **RK6-OPT1** : Serial remote control hub for 6 boards in RK6 rack frame
- **SYSTEM HUB** : Rack interface (1U-19") to accommodate several RK6 frames with several remote control panels & automations
- **RSC8** : Remote control panel (1U-19") for one LG50C
- **RSC-16** : 16 keys remote control panel for networked set of LG50C (1U-19")