

## General

Get several logos, clocks, animations and texts simultaneously on air.

**KRONOSS** is a digital inserter with built-in keyer which supports up to 24 layers and 7 objects. With **KRONOSS** software, all your logos, clocks and texts will be created from any graphic files in a few minutes.

Positioning, rotation and resizing are processed in real-time from the front panel.

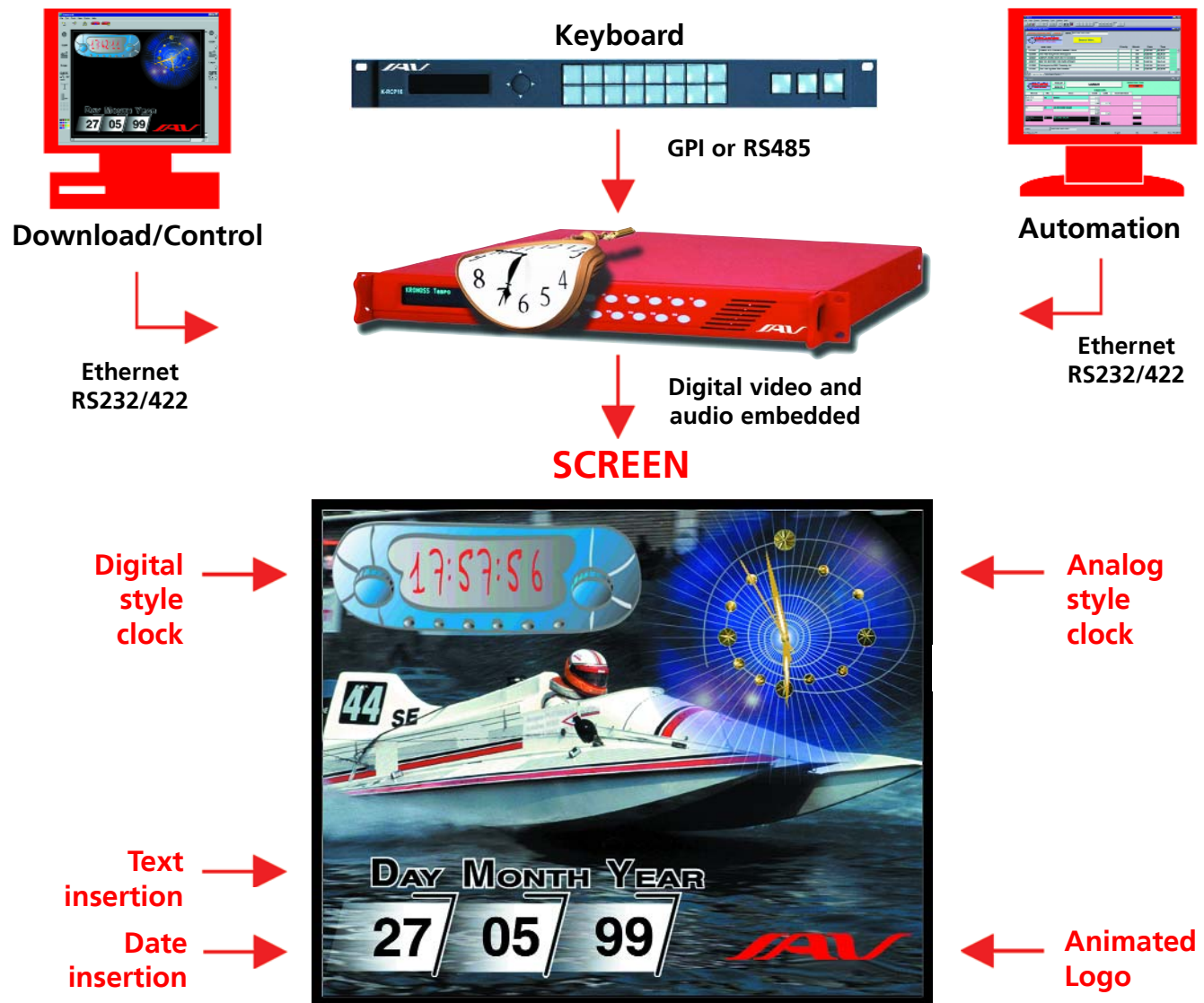


**KRONOSS**

**KRONOSS TEMPO** : Analog or Digital style Clock + Still Logo Inserter

**KRONOSS ANIMA** : Analog or Digital style Clock + Animated Logo Inserter

**KRONOSS ILLUSTR** : Analog or Digital style Clock, Logo & Text Inserter



# Specifications

## INPUTS

- Serial component digital inputs SMPTE 259M (10 Bits) 525/625 lines
- 1 line auto-phasing on any digital input
- 1 SDI background In (Program), by-pass to program out on power failure
- 1 fill and 1 key SDI input with loopthrough (Option K-EXT)
- 1 LTC Time code reference input AES/EBU (high impedance XLR)
- 1 analog video reference input with loop through 1 Vp.p.
- Reference Selection between analog reference input and background input
- Horizontal and vertical output phasing  
Range : Horizontal 0-1H - Vertical 625 lines

## OUTPUTS

- Serial component digital outputs SMPTE 259M (10 bits)
- 1 SDI main PGM out with bypass
- 1 SDI auxiliary PGM out without bypass
- Transparency for Audio embedded
- EDH are inserted in PGM outputs
- 1 SDI key out
- 1 SDI preview out
- 1 analog preview out (Pal or NTSC)

## TIME REFERENCE

- Linear time code - LTC - input
- Internal clock (battery back-up) if LTC unavailable
- Animation triggering on time events

## SAFETY

- Input error detection (EDH)
- I/O by-pass on system failure
- Automatic image insertion on program input failure

## PHYSICAL

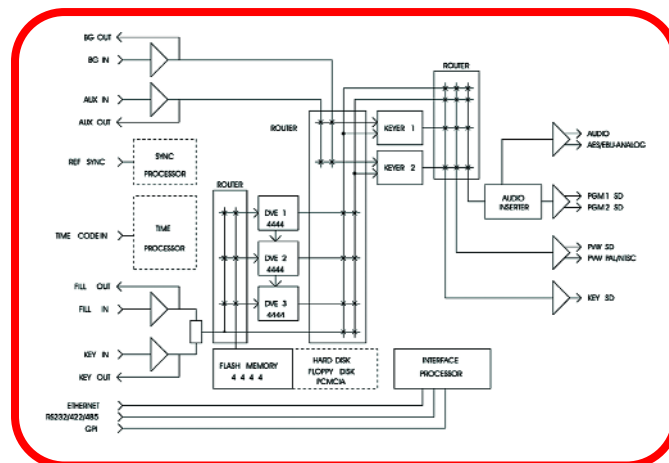
- 1 U rack mounting unit, 19" 485mm depth
- 100-240V AC, 75VA, 50/60 Hz
- Weight : 8,5 Kg
- Cooling front to back forced air
- Temperature 0 - 45°C
- CE & FCC Part 15 compliant

## PICTURES STORAGE CAPTURE

- Flash Memory : 8 Mbytes (4 full screen pictures)  
Expandable up to 48 Mbytes with plug-in modules (44 full screen pictures)
- Flash Memory extension (Options K-MEM8, K-MEM16)

## PROCESSING

- 10 bits 4:2:2 serial digital video inputs/outputs
- 4/3 or 16/9 formats
- Dual 4:2:2 keyers. Clip and gain adjustment.
- Keying of an external source or 2 extra selectable background inputs (Option K-EXT)
- 10 bit 4:4:4:4 Internal processing
- Up to 3 real time graphics processors, with positioning, rotation and resizing
- Multi-Layer performance :  
Animation 25 pictures/second => up to 3 layers  
Animation 12 pictures/second => up to 6 layers  
Animation 1 picture/second => up to 32 layers



## TEXT GENERATOR

- Support Windows® fonts (True Type and more)
- 16 millions colours - Transparency - Roll and crawl
- "On air" text insertion from network or automation files data

## SOFTWARE

- Windows 95 / 98 / NT / 2000 / XP
- Custom design of analog or digital clocks, chronometers, timers
- Animation of logos, texts, sequences. Direct import of graphic files : TARGA (TGA), Bitmap (BMP), JPEG (JPG), TIFF...

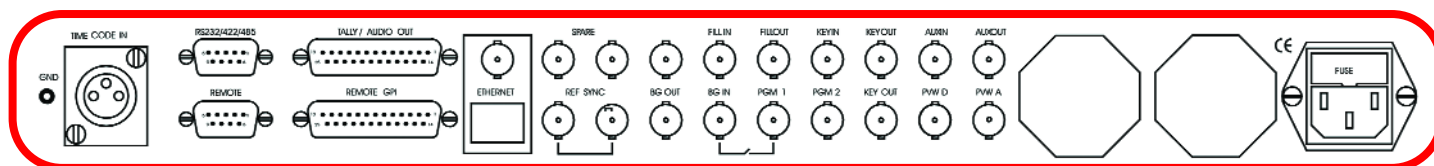
## REMOTE CONTROL - NETWORKING AUTOMATION

- 16 User-programmable GPI, state or pulse
- 16 User-programmable Tallys
- Serial port RS232/RS422 up to 115200 b/s, download and control
- Ethernet 10 Base2 and 10 BaseT, download and control via TCP/IP (Option K-ETH)
- Front panel keyboard
- Optional remote keyboards on RS485 network (Option K-RCP16)  
Keyboard networking allows control of one KRONOSS from several keyboards

## KRONAUDIO

### Optional Audio Generator/Mixer with external 1U rack frame "Jingle Box"

- Audio files reader
- Stereo Analog I/O
- AES/EBU Digital I/O
- Analog or digital mixer
- Storage up to 10 hours (hard disk)



# Options

- **K-RCP16** : Remote Control Panel
- **C422-10** : 10 meters cable for K-RCP16
- **C422-25** : 25 meters cable for K-RCP16
- **K-EXT** : Extension board
- **K-ETH** : Ethernet board
- **KRONAUDIO** : External rack "Jingle box"
- **K-MEM8** : 8 MB memory module
- **K-MEM16** : 16 MB memory module