

General

KRONAUDIO is an extension for KRONOSS.

KRONAUDIO generates audio sequences synchronised with the appearance of a video object on the screen (logo, clock...). It can also mix audio sequences with the Audio Input.

KRONAUDIO is controlled by KRONOSS, and can manage different parameters as the timing of a sequence, volume, "fade in/fade out"... Audio sequences can be directly recorded or imported via the network, and stored on an internal hard drive offering a minimum storage of 10 hours of linear audio. Audio inputs and outputs are analog and/or digital (AES/EBU).

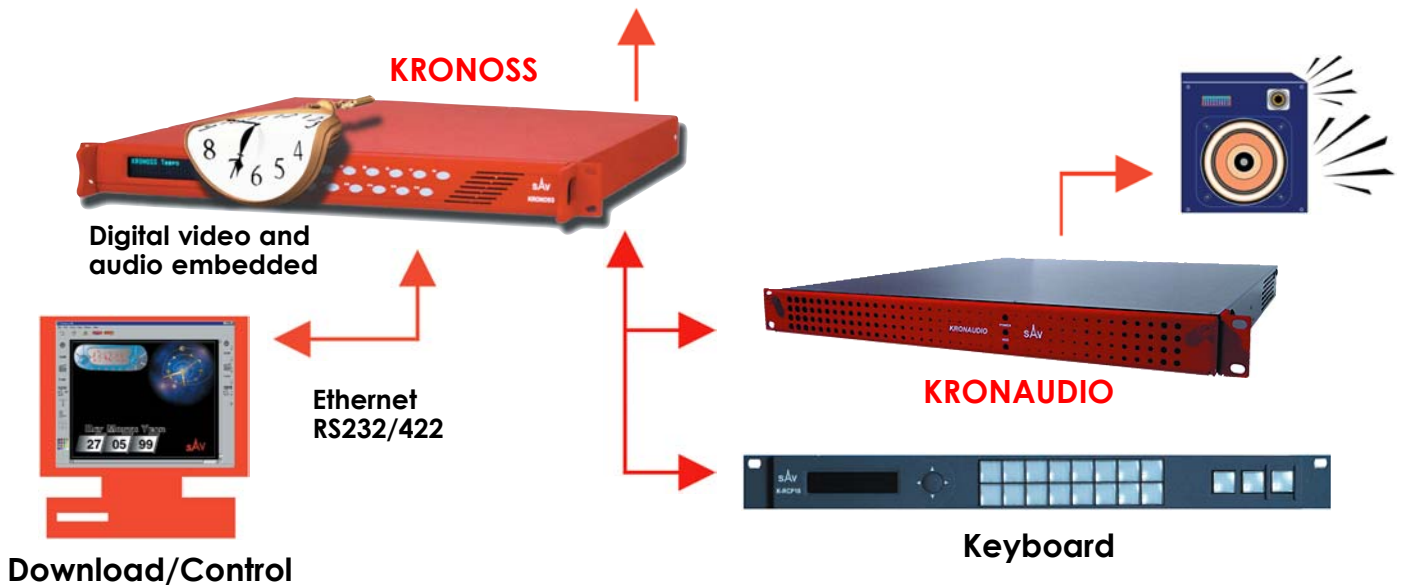


KRONAUDIO

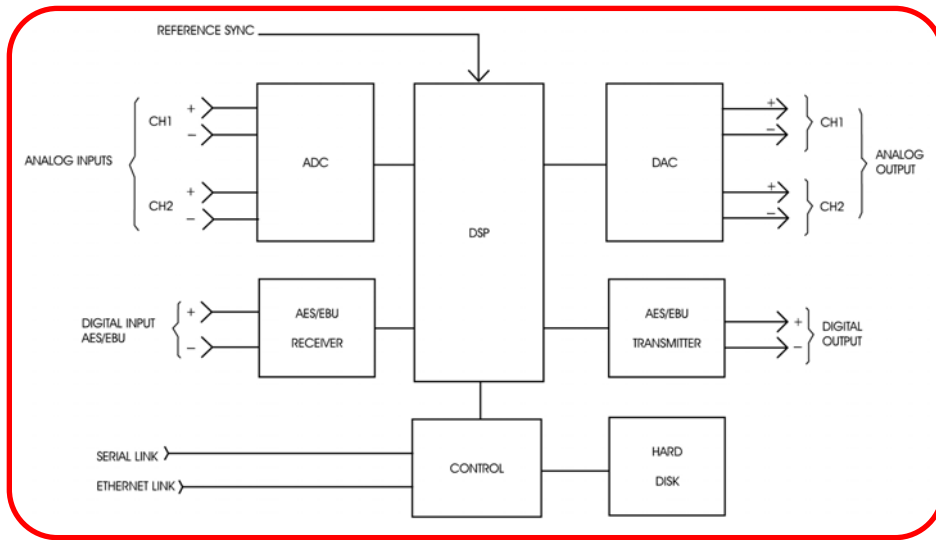
SCREEN



← **Audio sequences synchronised**



Specifications



■ INPUTS

- 2 Analog inputs (XLR or Sub D, +4dBu nom/+24 dBu max, balanced)
- 1 AES/EBU Digital Input (16 bits – XLR or Sub D)
- 1 analog video reference input (1Vpp - BNC)

■ OUTPUTS

- 1 AES/EBU Digital output (Sub D or XLR)
- 2 Analog outputs (Sub D or XLR, +4dBu nom/+24 dBu max, balanced)

■ PHYSICAL

- 1 U rack mounting unit 19" 485mm depth
- Voltage 90-240V AC 50/60 Hz auto range
- Power consumption 100VA
- Weight 10 Kg
- Cooling front to back forced air
- Temperature +10 to +40°C
- CE & FCC Part 15 compliant

■ REMOTE CONTROL - NETWORKING AUTOMATION

- Serial port RS232/RS422 up to 115200 b/s download and control
- Serial port RS485 up to 115200 b/s Kronoss control
- Ethernet 10/100BASE-T, download and control

■ AUDIO GENERATOR

- Play audio files (wav mono/stereo up to 16 bits, 48 Ksamples/s)
- Synchronised audio playing with Kronoss video insertion
- Programmable fade in, fade out
- Digital and analog outputs

□ ORDERING

- **KRONAUDIO** : K-JAS

■ AUDIO MIXER

- Digital or analog input mixed with audio file playing
- If digital input used, digital output synchronisation with AES/EBU input
- If analog input used, digital output synchronisation with analog video reference input

■ AUDIO FILES

- Imported from serial port or Ethernet
- Recorded from Analog or Digital Inputs
- Storage up to 10 hours (depending on hard disk Capacity)

■ SOFTWARE

- Mixer settings
- Synchronisation settings
- Audio files record control